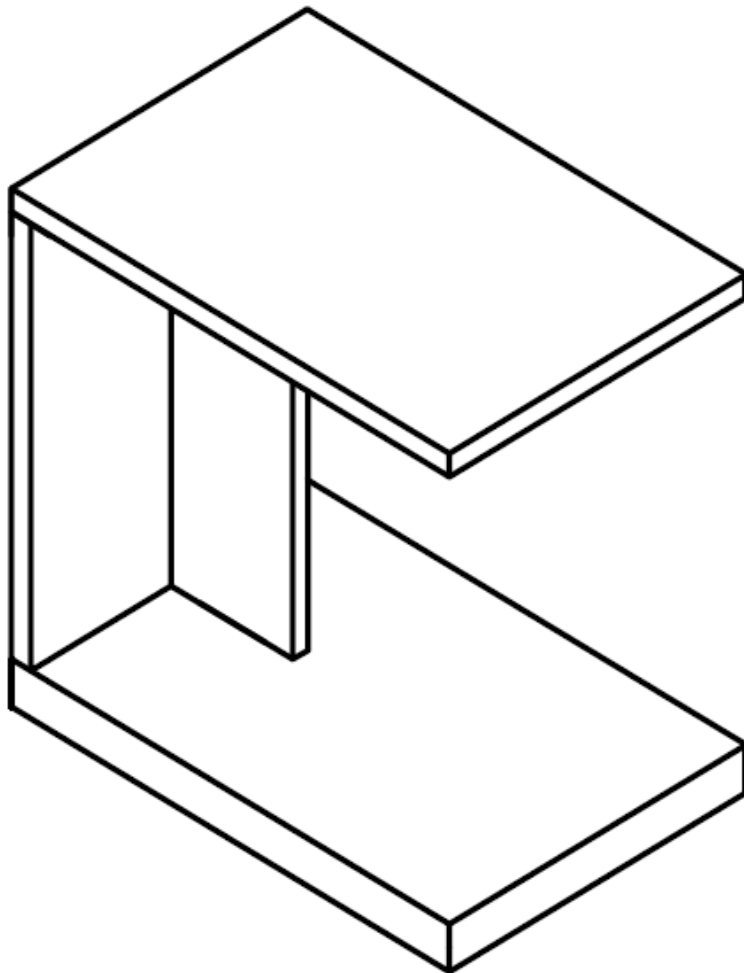


**OC985100TX Bocks C Table- Black**  
**OC985200TX Bocks C Table- Citrine**  
**OC985600TX Bocks C Table- Navy**  
**OC985700TX Bocks C Table-**  
**Red Orange**  
**Assembly Instructions**



Holly & Martin® a valued brand of SEI  
Customer Service [1-800-633-5096](tel:1-800-633-5096)  
[service@hollyandmartin.com](mailto:service@hollyandmartin.com)  
[www.hollyandmartin.com](http://www.hollyandmartin.com)

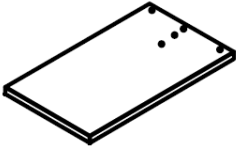
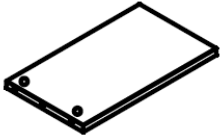
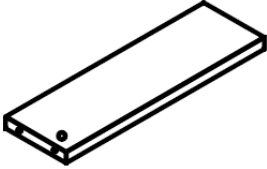
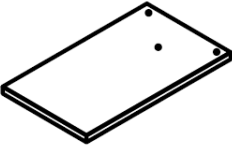
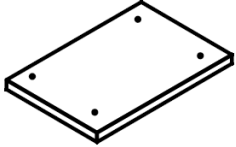
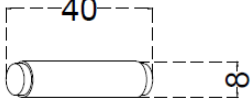
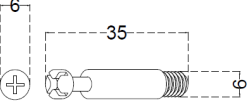
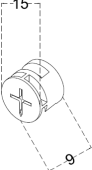
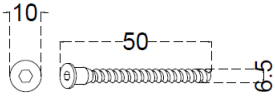
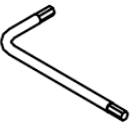
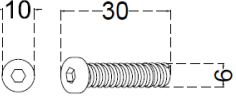

PO#



# BOCKS C TABLE Assembly Instructions

Please check packaging for all parts and hardware before discarding. Unpack and lay parts on clean, padded surface like carpet or blanket. Check that you have all parts indicated. Call customer service if hardware is missing. Before beginning assembly, carefully study the diagrams below and sort your hardware according to the pictures.

Using the incorrect hardware will cause damage.

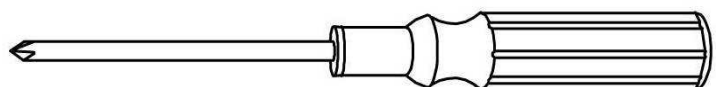
<p><b>A</b> <span style="float: right;"><b>Quantity</b> <b>Of 1</b></span></p>  <p>top panel</p>	<p><b>B</b> <span style="float: right;"><b>Quantity</b> <b>Of 1</b></span></p>  <p>side panel</p>	<p><b>C</b> <span style="float: right;"><b>Quantity</b> <b>Of 1</b></span></p>  <p>vertical panel</p>
<p><b>D</b> <span style="float: right;"><b>Quantity</b> <b>Of 1</b></span></p>  <p>bottom panel</p>	<p><b>E</b> <span style="float: right;"><b>Quantity</b> <b>Of 1</b></span></p>  <p>base</p>	<p><b>F</b> <span style="float: right;"><b>Quantity</b> <b>Of 4</b></span></p>  <p>wood dowel</p>
<p><b>G</b> <span style="float: right;"><b>Quantity</b> <b>Of 3</b></span></p>  <p>cam bolt</p>	<p><b>H</b> <span style="float: right;"><b>Quantity</b> <b>Of 3</b></span></p>  <p>cam lock</p>	<p><b>I</b> <span style="float: right;"><b>Quantity</b> <b>Of 3</b></span></p>  <p>bolt dia: 1/4" x 2"L</p>
<p><b>J</b> <span style="float: right;"><b>Quantity</b> <b>Of 1</b></span></p>  <p>allen wrench</p>	<p><b>K</b> <span style="float: right;"><b>Quantity</b> <b>Of 4</b></span></p>  <p>bolt dia: 1/4" x 1-1/2"</p>	<p><b>L</b> <span style="float: right;"><b>Quantity</b> <b>Of 3</b></span></p>  <p>sticker cover</p>

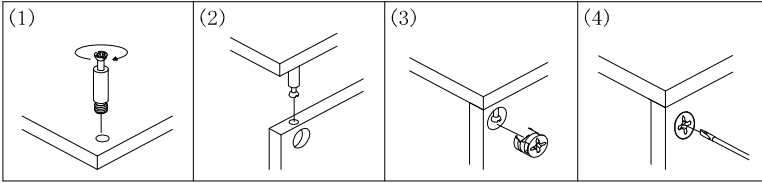
**Care and Cleaning Instructions:**

Before using, wipe with a clean, dry cloth. Periodically apply furniture wax to renew the finish. Avoid rubbing or scratching the surface with rough or abrasive objects.

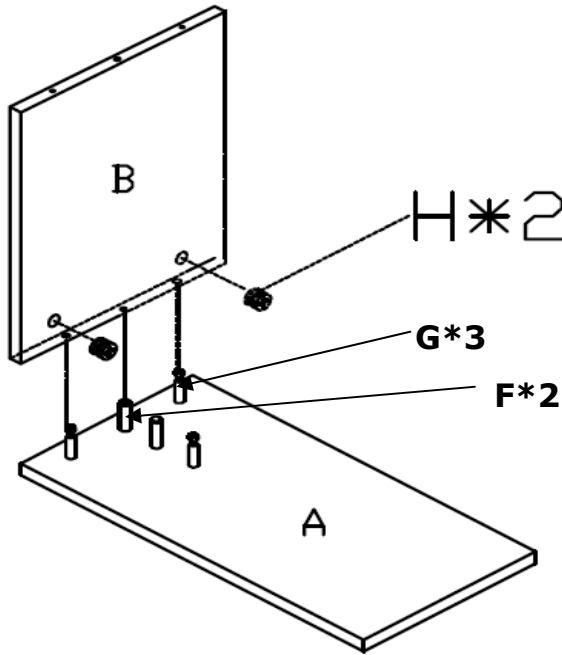
For replacement parts or questions, please call customer service at 1-800-633-5096.

**Assembly Tool Required**  
**No.2 Phillips Screwdriver**  
**Not Included**





"Please do not over tighten cambolts. Please stop when you feel tight"

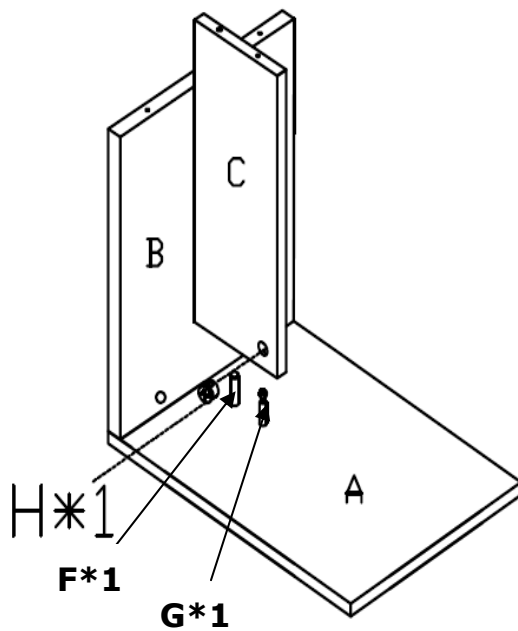


**Figure 1**

Insert cam locks (H) into holes on side panel (B).

Screw cam bolts (G) into holes on top panel (A). Attach top panel (A) to side panel (B) by inserting wood dowels (F) and cam bolts (G) into corresponding holes until top panel (A) and side panel (B) meet.

Tighten by rotating cam locks (H) clockwise with phillips screwdriver.

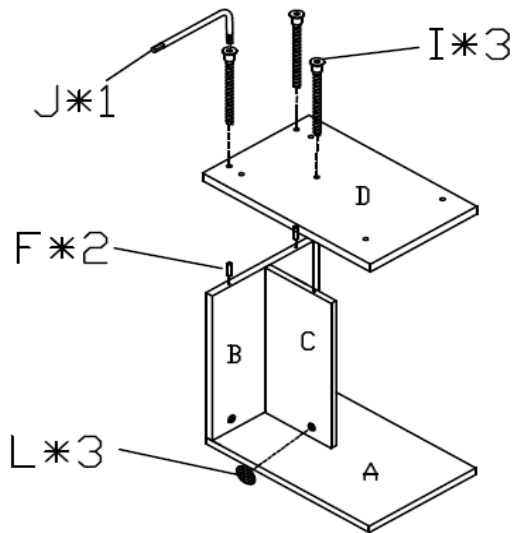


**Figure 2**

Insert cam locks (H) into holes on vertical panel (C).

Screw cam bolts (G) into holes on top panel (A). Attach vertical panel (C) to top panel (A) by inserting wood dowels (F) and cam bolts (G) into corresponding holes until top panel (A) and vertical panel (C) meet.

Tighten by rotating cam locks (H) clockwise with phillips screwdriver.

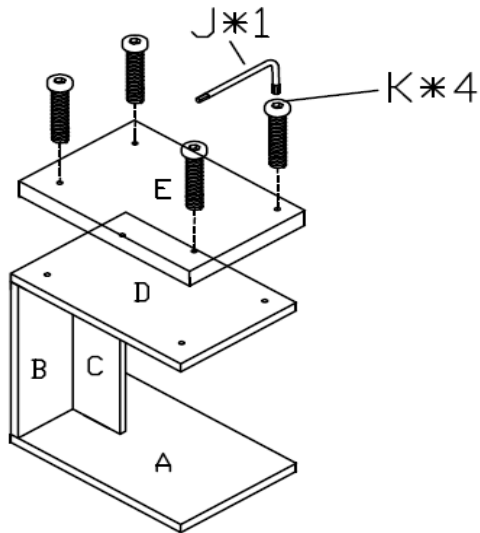


**Figure 3**

Connect bottom panel (D ) to assembled unit with bolts (I) and wood dowels (F).

Tighten bolts with allen wrench (J).

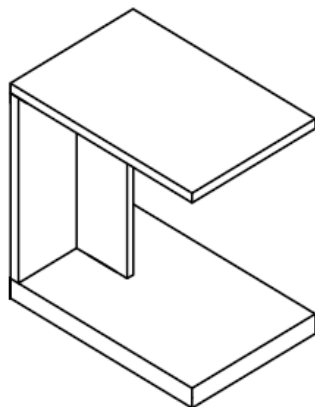
Cover cam lock holes with sticker covers (L).



**Figure 4**

Connect base (E) to assembled unit with bolts (K).

Tighten bolts with allen wrench (J).



**Figure 5**

Now your Bocks C table is ready to use.

# Parts Replacement Form

## Customer Information

Name \_\_\_\_\_

Address \_\_\_\_\_

City/State/Zip Code \_\_\_\_\_

Phone Number \_\_\_\_\_

Please indicate where you purchased this item: Store/Website/Catalog

\_\_\_\_\_

Please indicate color/size/style number:

\_\_\_\_\_

Style No

Parts Letter

Parts Description

Quantity Needed

\_\_\_\_\_  
\_\_\_\_\_  
\_\_\_\_\_

Please immediately examine this product carefully. Any request for missing parts or damage replacement must be received within 90 days of your receipt of the product. Replacement, if available, will be honored within this time frame. Parts will not be available for items arriving fully assembled. We do not recommend modifying product(s) and we are not responsible for any damages due to product modification(s). If damages or missing parts are not reported within 90 days of your receipt, we are under no obligation to provide parts or replacement merchandise.

Please contact Southern Enterprises at 800-633-5096 or in Dallas 972-869-0111/ 9am – 4pm Mon-Fri Central time if you have product issues or email us at [service@seidal.com](mailto:service@seidal.com). Please ask for customer service representative for issues involving damages or replacement parts. Please ask for technical assistance representative for any issues with product and assembly/construction.

Please contact the retailer that you purchased from for returns.



Holly & Martin® a valued brand of SEI  
Customer Service [1-800-633-5096](tel:1-800-633-5096)  
[service@hollyandmartin.com](mailto:service@hollyandmartin.com)  
[www.hollyandmartin.com](http://www.hollyandmartin.com)