

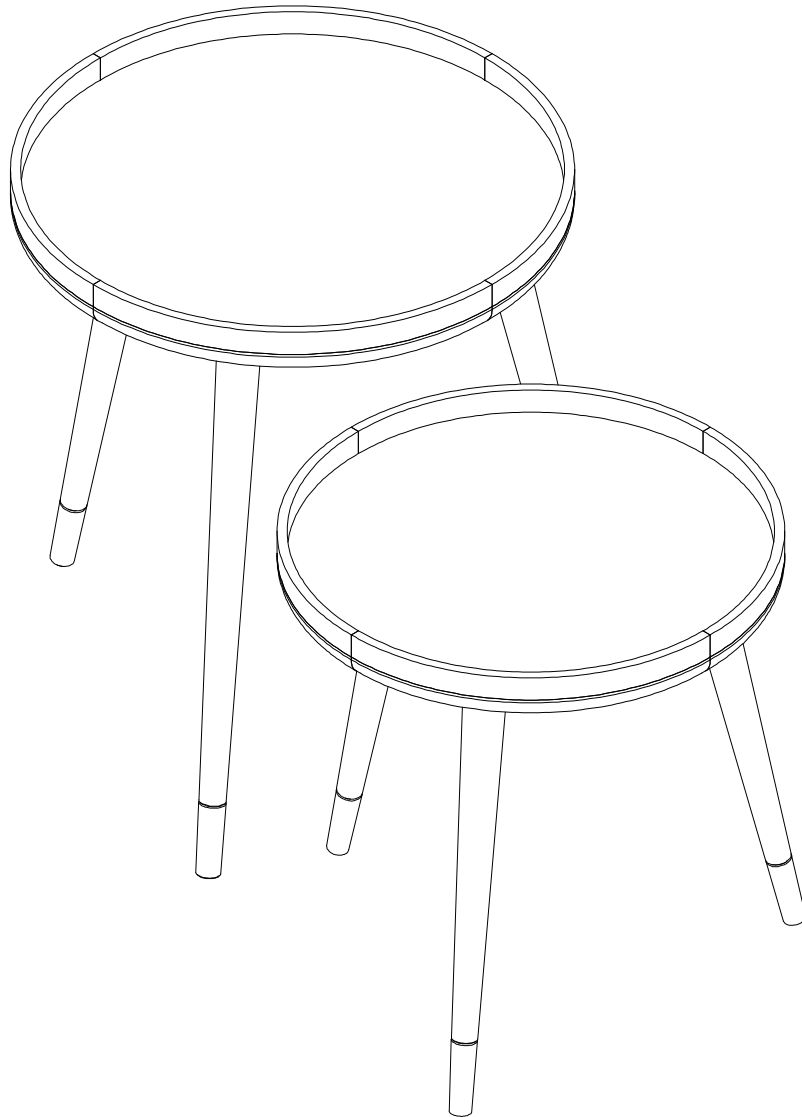
OC152000TX

**Coho 2pc Accent Table Set
Assembly Instruction**

HOLLY & MARTIN® 
FUNCTION • MEETS • STYLE

For assistance with assembly, contact:
Southern Enterprises Inc.
Customer Service 1-800-633-5096
service@seidal.com
www.seidal.com

PO#13881



OC152000TX

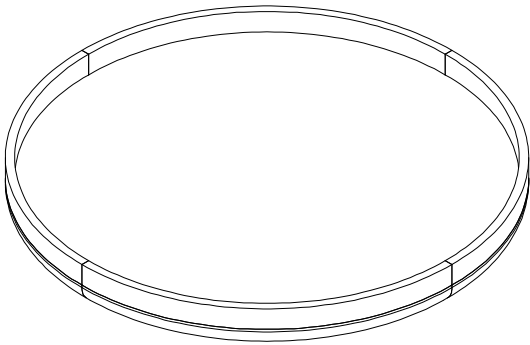
Coho 2pc Accent Table Set

Parts List

Please review all parts and hardware before disposing of any packaging.
Call Customer Service if missing hardware. Do not return to store/retailer.
Using a screw that is too long will cause damage. Before beginning assembly,
separate each type of screw. Carefully study the screw diagrams below.
You may receive extra hardware with your unit.

A

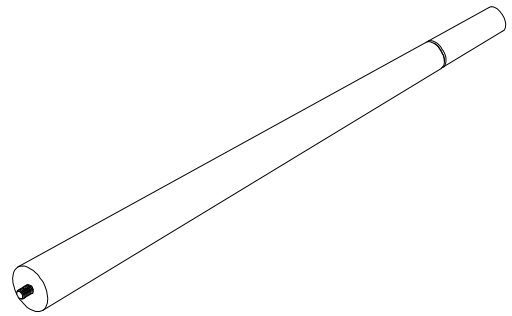
1pc



Large Top

B

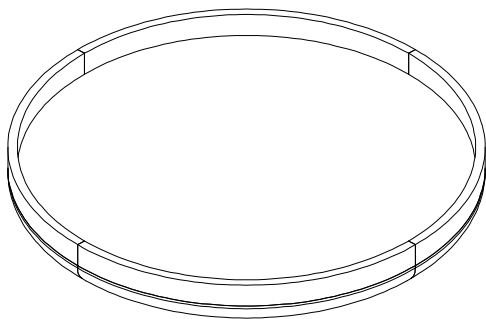
3pcs



Long Leg

C

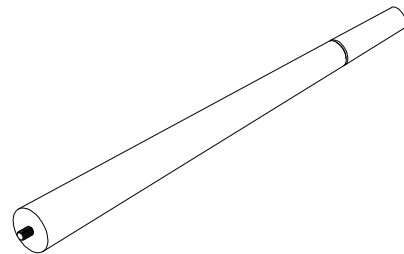
1pc



Small Top

D

3pcs



Short Leg

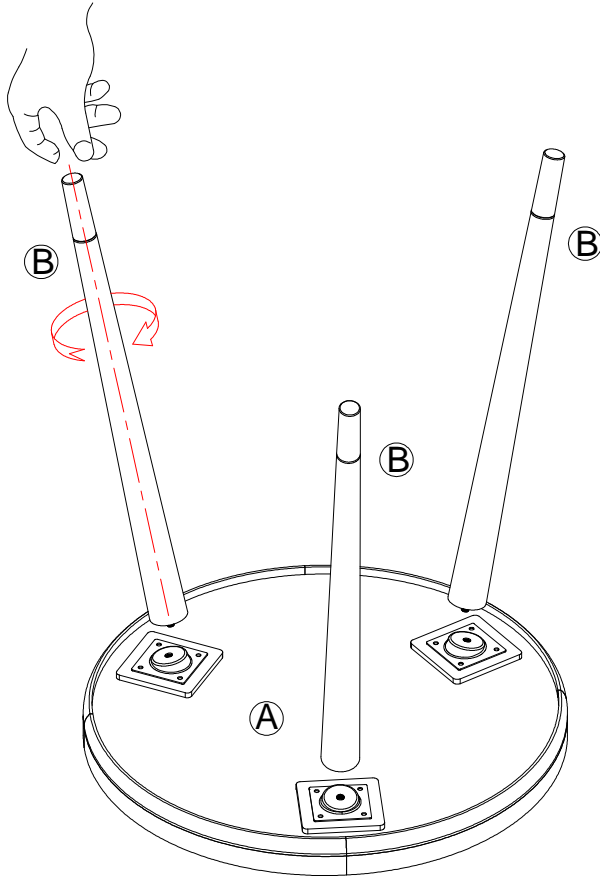
Care and Cleaning Instructions:

Before using, wipe with a clean, dry cloth.
Avoid rubbing or scratching the
surface with rough or abrasive objects.

For replacement parts or questions, please
call Customer Service at 1-800-633-5096.

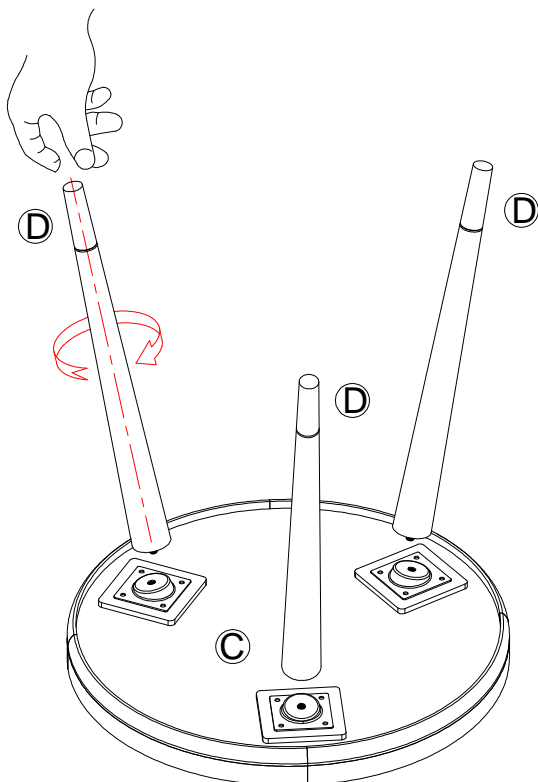
OC152000TX

Coho 2pc Accent Table Set Assembly Instructions



Step 1:

Attach Long Legs **(B)** to Large Top **(A)** using Hand as shown.



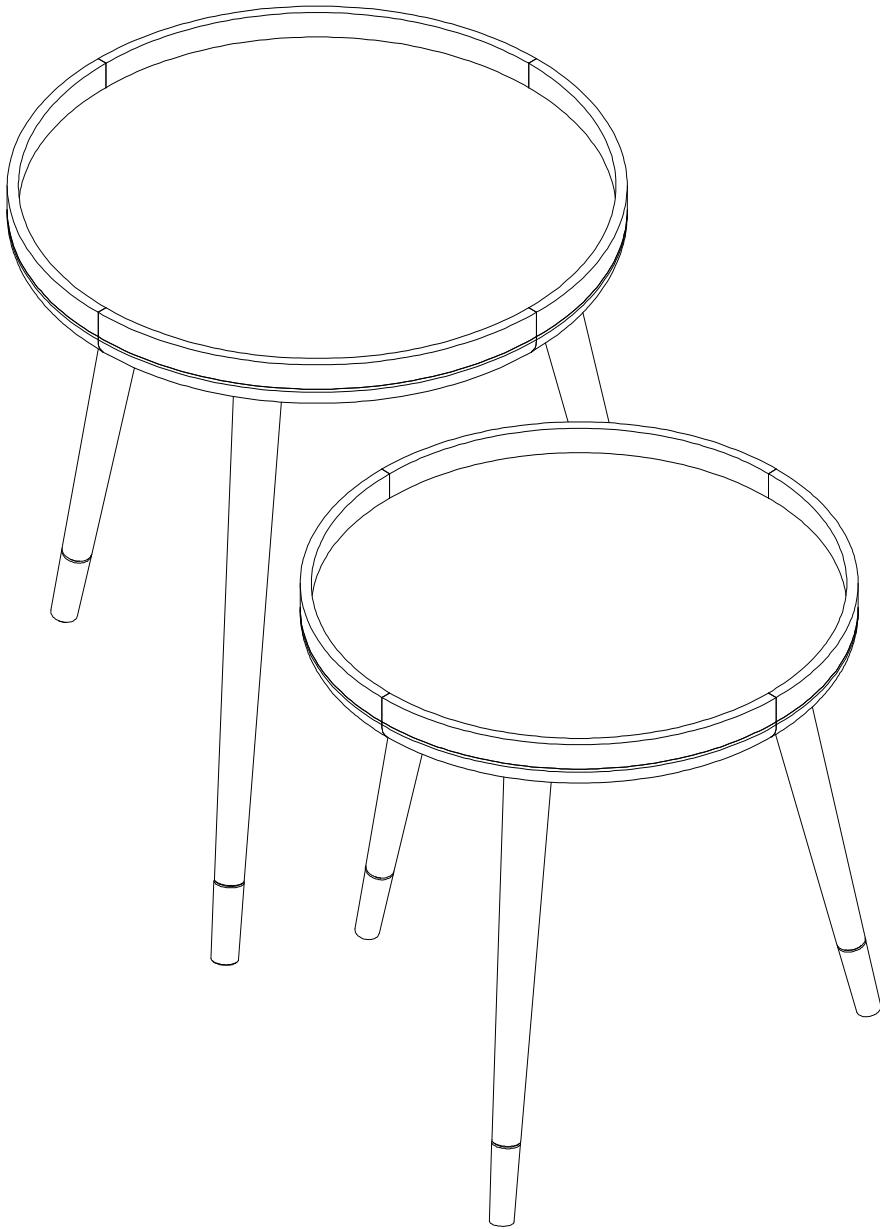
Step 2:

Attach Short Legs **(D)** to Small Top **(C)** using Hand as shown.

OC152000TX

Coho 2pc Accent Table Set

Assembly Instructions



Assembly is complete

Parts Replacement Form

Customer Information

Name _____

Address _____

City/State/Zip Code _____

Phone Number _____

Please indicate where you purchased this item: Store/Website/Catalog

Please indicate color/size/style number:

Style No	Parts Letter	Parts Description	Quantity Needed
_____	_____	_____	_____
_____	_____	_____	_____

Please immediately examine this product carefully. Any request for missing parts or damage replacement must be received within 90 days of your receipt of the product. Replacement, if available, will be honored within this time frame. Parts will not be available for items arriving fully assembled. We do not recommend modifying product(s) and we are not responsible for any damages due to product modification(s). If damages or missing parts are not reported within 90 days of your receipt, we are under no obligation to provide parts or replacement merchandise.

For product issues, please contact Southern Enterprises at 800-633-5096 (toll-free) / 972-869-0111 (Dallas) Mon-Fri 9am – 4pm CST, or email us at service@seidal.com. Please ask for customer service representative for issues involving damages or replacement parts. Please ask for technical assistance representative for any issues with product and assembly/construction.

Please contact the retailer that you purchased from for returns.



Customer Service 1-800-633-5096
service@seidal.com
Southern Enterprises, Inc.
600 Freeport Parkway, Suite 200
Coppell, Texas 75019