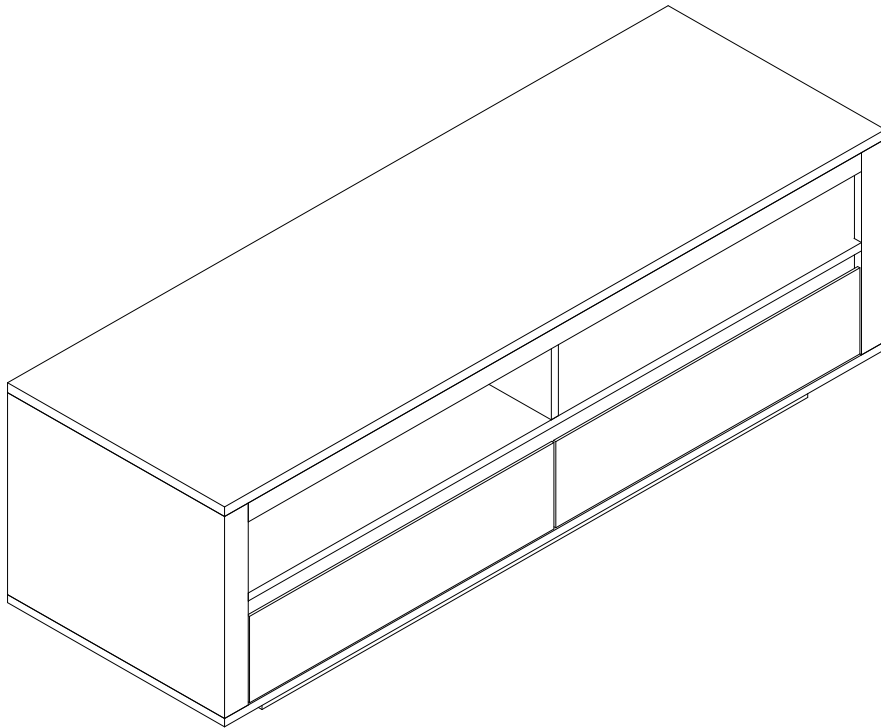


**MS995700TX**  
**Mosie Media Stand**  
**Assembly Instructions**

**HOLLY & MARTIN®**  
FUNCTION • MEETS • STYLE 

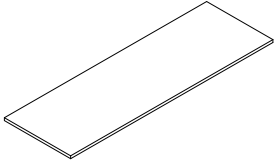
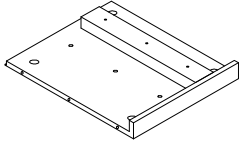
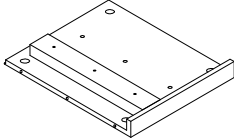
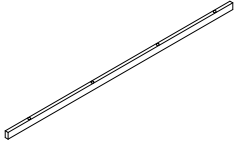
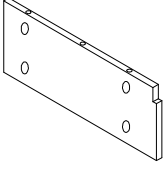
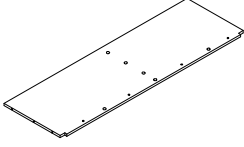
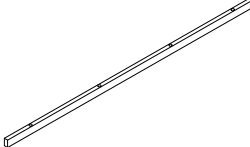
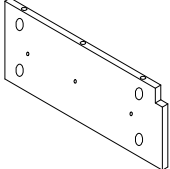
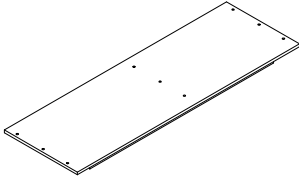
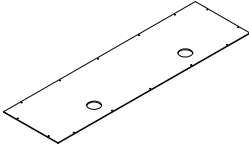
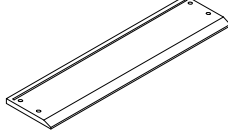
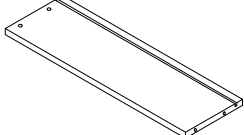
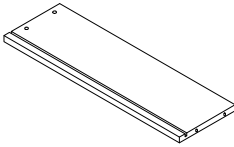
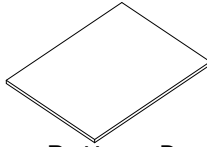
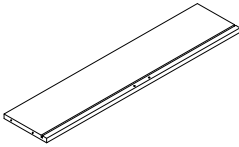
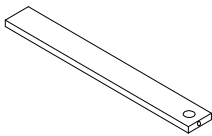
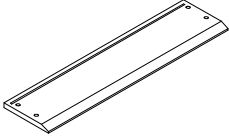
Holly & Martin®, a valued brand of SEI  
Customer Service [1-800-633-5096](tel:1-800-633-5096)  
[service@hollyandmartin.com](mailto:service@hollyandmartin.com)  
[www.hollyandmartin.com](http://www.hollyandmartin.com)

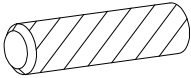
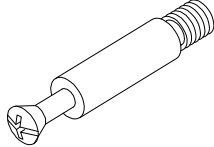
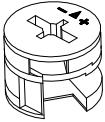
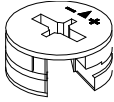
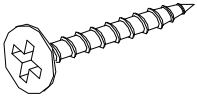
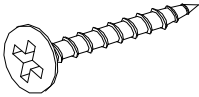
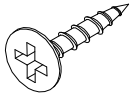
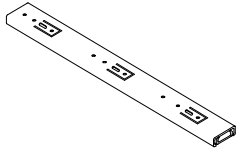
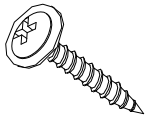
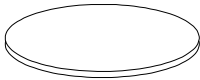
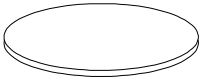
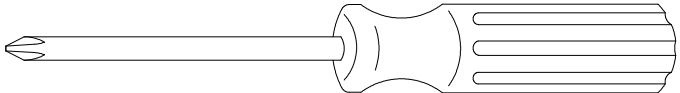


# Mosie Media Stand

## Parts List

Please check packaging for all parts and hardware before discarding. Unpack and lay parts on clean, padded surface like carpet or blanket. Check that you have all parts indicated. Call customer service if hardware is missing. Before beginning assembly, carefully study the diagrams below and sort your hardware according to the pictures. Using the incorrect hardware will cause damage

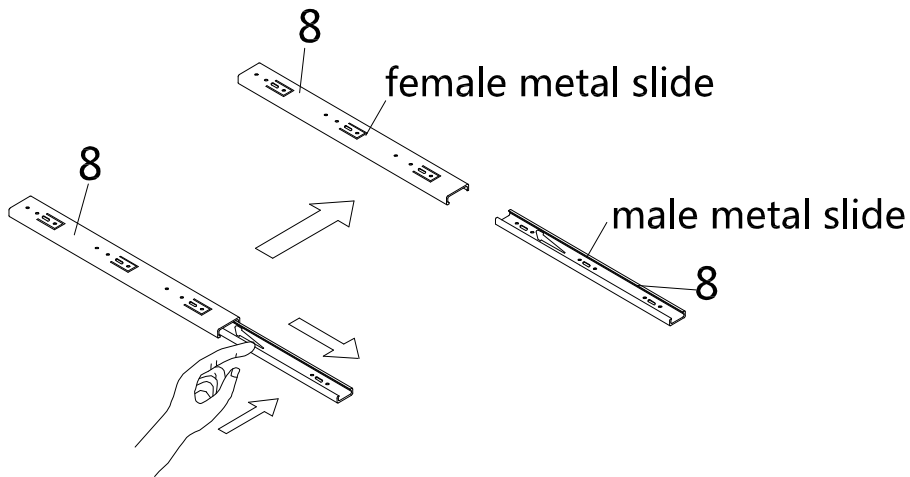
<p><b>A.</b> Quantity of 1</p>  <p>Top Panel</p>	<p><b>B.</b> Quantity of 1</p>  <p>Side Panel (Left)</p>	<p><b>C.</b> Quantity of 1</p>  <p>Side Panel (Right)</p>	<p><b>D.</b> Quantity of 1</p>  <p>Top Rail</p>
<p><b>E.</b> Quantity of 1</p>  <p>Top Divider</p>	<p><b>F.</b> Quantity of 1</p>  <p>Fixed Shelf</p>	<p><b>G.</b> Quantity of 1</p>  <p>Middle Rail</p>	<p><b>H.</b> Quantity of 1</p>  <p>Bottom Divider</p>
<p><b>I.</b> Quantity of 1</p>  <p>Bottom Panel</p>	<p><b>J.</b> Quantity of 1</p>  <p>Back Panel</p>	<p><b>K.</b> Quantity of 1</p>  <p>Drawer Front Panel Left</p>	<p><b>L.</b> Quantity of 2</p>  <p>Drawer Side Panel Left</p>
<p><b>M.</b> Quantity of 2</p>  <p>Drawer Side Panel Right</p>	<p><b>N.</b> Quantity of 2</p>  <p>Drawer Bottom Panel</p>	<p><b>O.</b> Quantity of 2</p>  <p>Drawer Back Panel</p>	<p><b>P.</b> Quantity of 2</p>  <p>Rail</p>
<p><b>Q.</b> Quantity of 1</p>  <p>Drawer Front Panel Right</p>			

<p><b>1.</b></p>  <p>Wood Dowel 8*30mm</p>	<p>Quantity of 13</p>	<p><b>2.</b></p>  <p>Cam Bolt</p>	<p>Quantity of 30</p>
<p><b>3.</b></p>  <p>Cam Lock</p>	<p>Quantity of 20</p>	<p><b>4.</b></p>  <p>Cam Lock</p>	<p>Quantity of 10</p>
<p><b>5.</b></p>  <p>Screw 1/8"*1-1/4"L</p>	<p>Quantity of 8</p>	<p><b>6.</b></p>  <p>Screw 1/8"*1"L</p>	<p>Quantity of 12</p>
<p><b>7.</b></p>  <p>Screw 1/8"*1/2"L</p>	<p>Quantity of 24</p>	<p><b>8.</b></p>  <p>Ball Bearing Slide 16'*35mm</p>	<p>Quantity of 4</p>
<p><b>9.</b></p>  <p>Screw 1/8"*1/2"L</p>	<p>Quantity of 14</p>	<p><b>10.</b></p>  <p>Black Cover</p>	<p>Quantity of 8</p>
<p><b>11.</b></p>  <p>Yellow Cover</p>	<p>Quantity of 8</p>	<p><b>Care and Cleaning Instructions:</b>          Before using, wipe with a clean, dry cloth. Avoid rubbing or scratching the surface with rough or abrasive objects.</p>	
<p><b>Assembly Tool Required:</b>  <b>No.2 Phillips Screwdriver (Not Included)</b></p>		<p>Call SEI customer service at 1-800-633-5096 for assistance, questions, or parts.</p> 	

# Mosie Media Stand

## Assembly Instructions

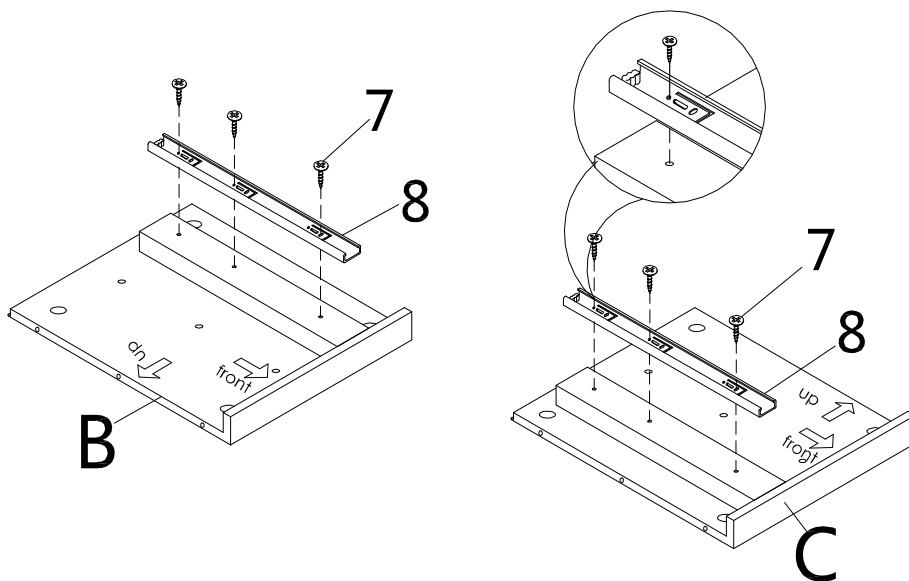
Disassemble all Metal Slides **(8)** into Male Metal Slide and Female Metal Slide.



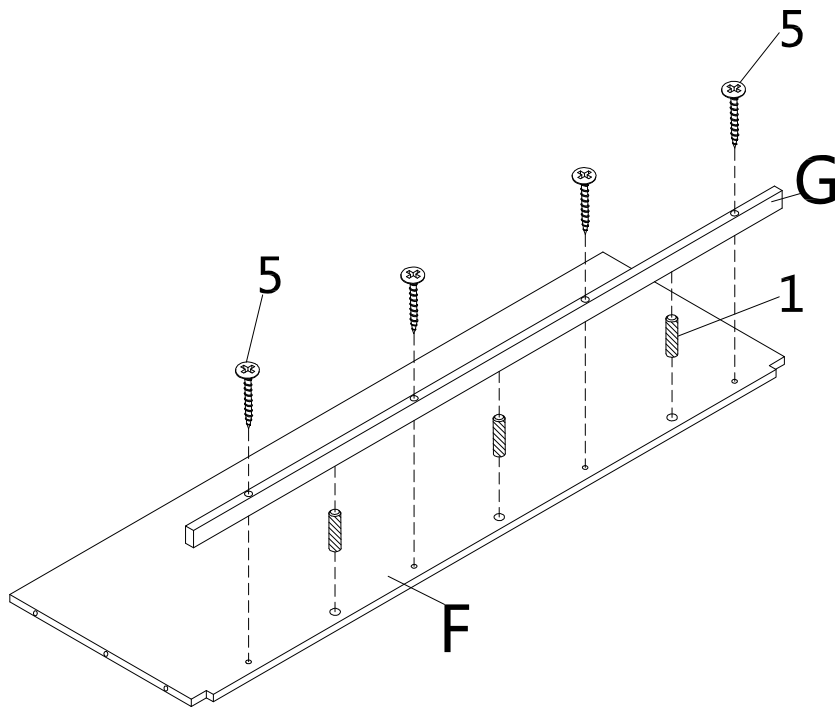
**Figure 1**

Attach 2 Female Ball Bearing Slides **(8)** to Side Panels **(B/C)** with Screws **(7)**.

Tighten Screws **(7)** with a Phillips screwdriver (not included).



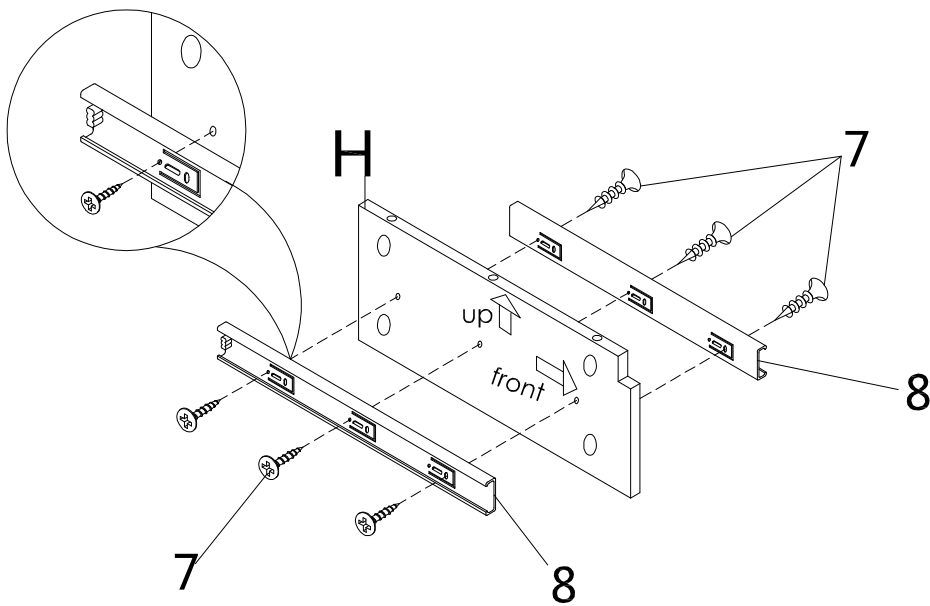
**Figure 2**



Attach Middle Rail (**G**) to Fixed Shelf (**F**) with Wood Dowels (**1**) and Screws (**5**).

Tighten Screws (**F**) with Phillips screwdriver (not included).

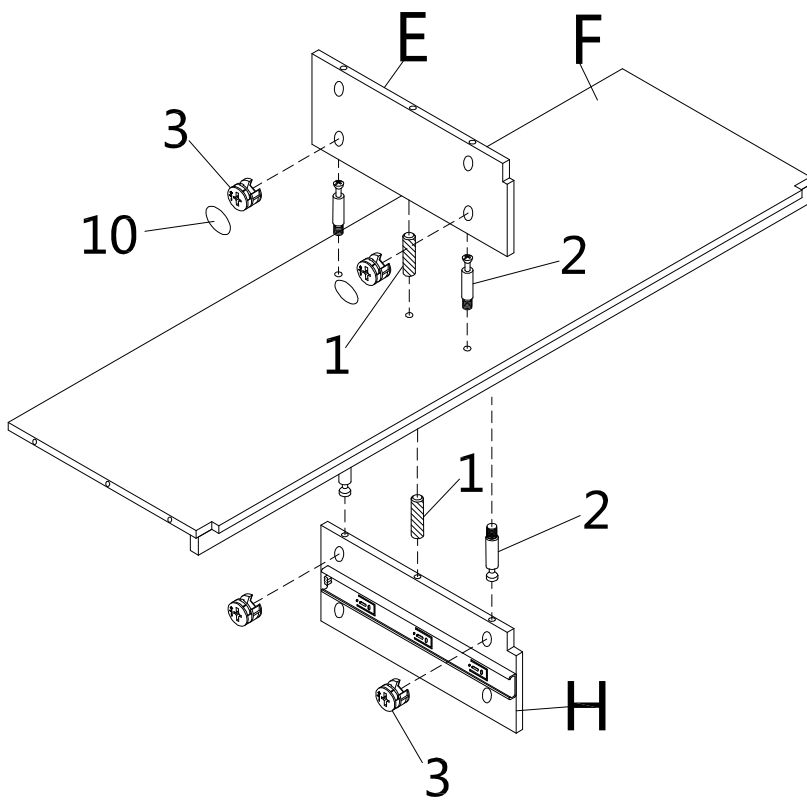
**Figure 3**



Attach remaining Female Ball Bearing Slides (**8**) to Bottom Divider (**G**) with Screws (**7**).

Tighten Screws (**7**) with a Phillips screwdriver (not included).

**Figure 4**



**Figure 5**

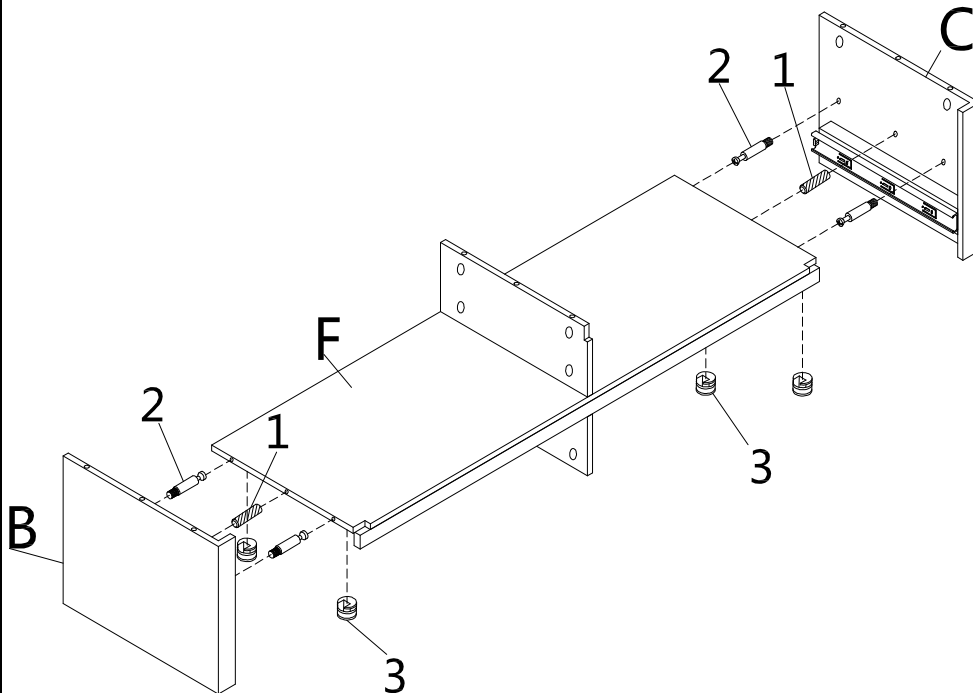
Insert Cam Locks (3) into predrilled holes on Dividers (E/H).

Screw Cam Bolts (2) into pre-drilled holes on Fixed Shelf (F).

Attach Dividers (E/H) to Fixed Shelf (F) by inserting Wood Dowels (1) & Cam Bolts (2) into corresponding pre-drilled holes until all panels meet.

Secure by rotating Cam Locks (3) clockwise with a Philips screwdriver (not included).

Cover Cam Lock holes with Black Covers (10).



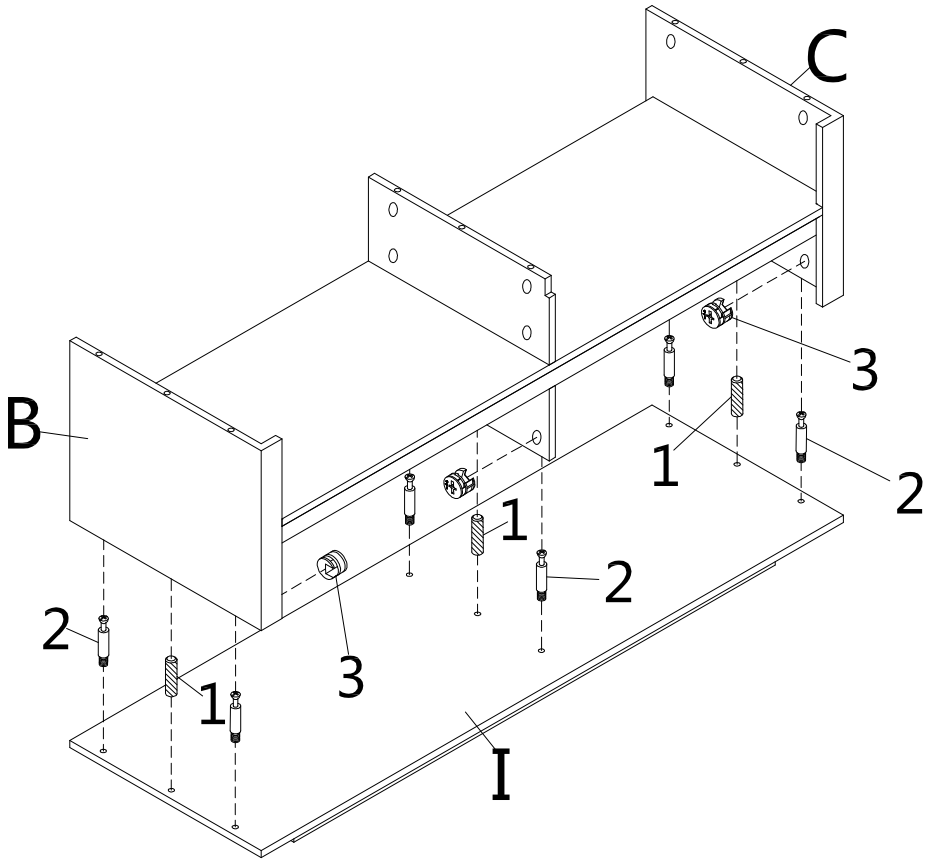
**Figure 6**

Insert Cam Locks (3) into predrilled holes on pre-assembled unit from Figure 5.

Screw Cam Bolts (2) into pre-drilled holes on Side Panels (B/C).

Attach Side Panels (B/C) to pre-assembled unit from figure 5 by inserting Wood Dowels (1) & Cam Bolts (2) into corresponding pre-drilled holes until all panels meet.

Secure by rotating Cam Locks (3) clockwise with a Philips screwdriver (not included).



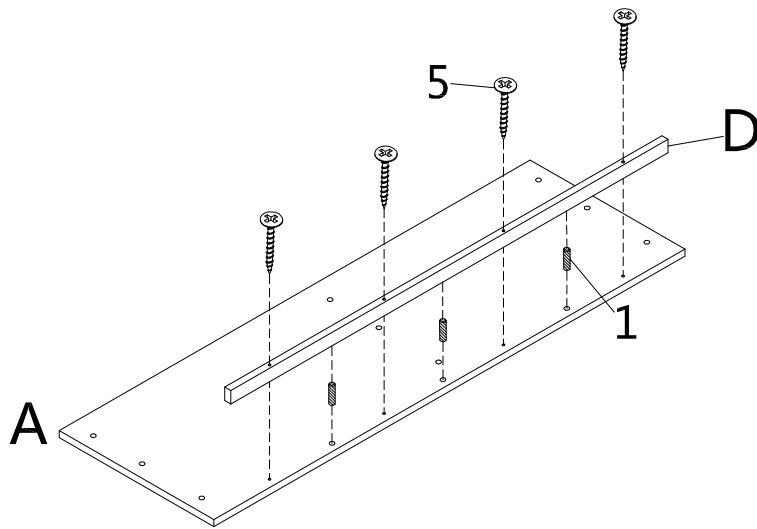
**Figure 7**

Insert Cam Locks **(3)** into predrilled holes on pre-assembled unit from Figure 6.

Screw Cam Bolts **(2)** into pre-drilled holes on Bottom Panel **(I)**.

Attach Bottom Panel **(I)** to pre-assembled unit from Figure 6 by inserting Wood Dowels **(1)** & Cam Bolts **(2)** into corresponding pre-drilled holes until all panels meet.

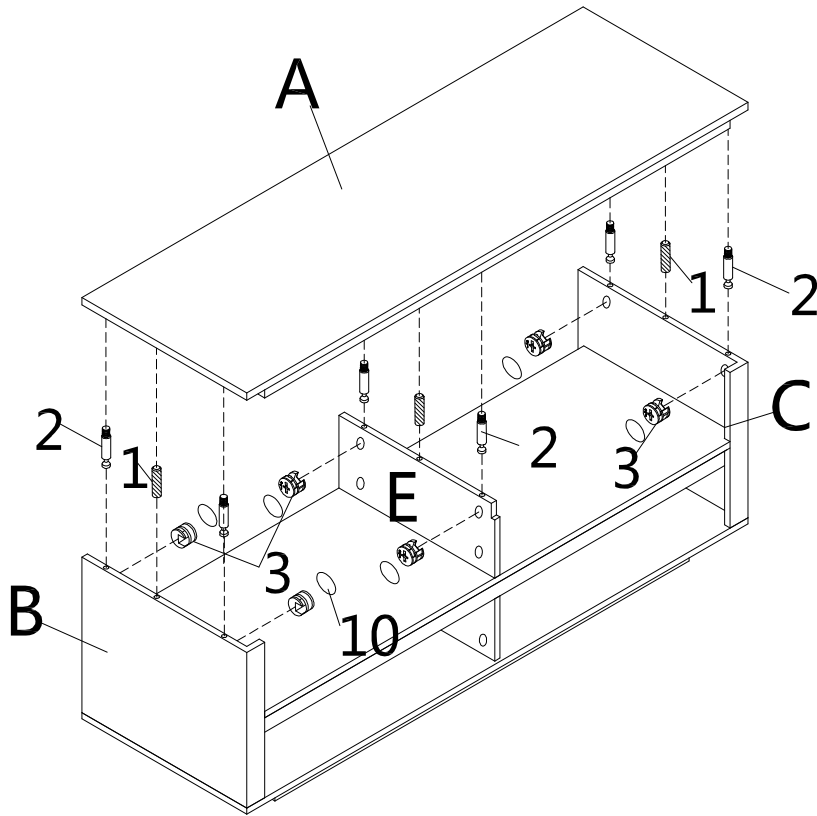
Secure by rotating Cam Locks **(3)** clockwise with a Phillips screwdriver (not included).



**Figure 8**

Attach Top Rails **(D)** to Top Panels **(A)** with Wood Dowels **(1)** and Screws **(5)**.

Tighten Screws **(5)** with Phillips screwdriver (not included).



**Figure 9**

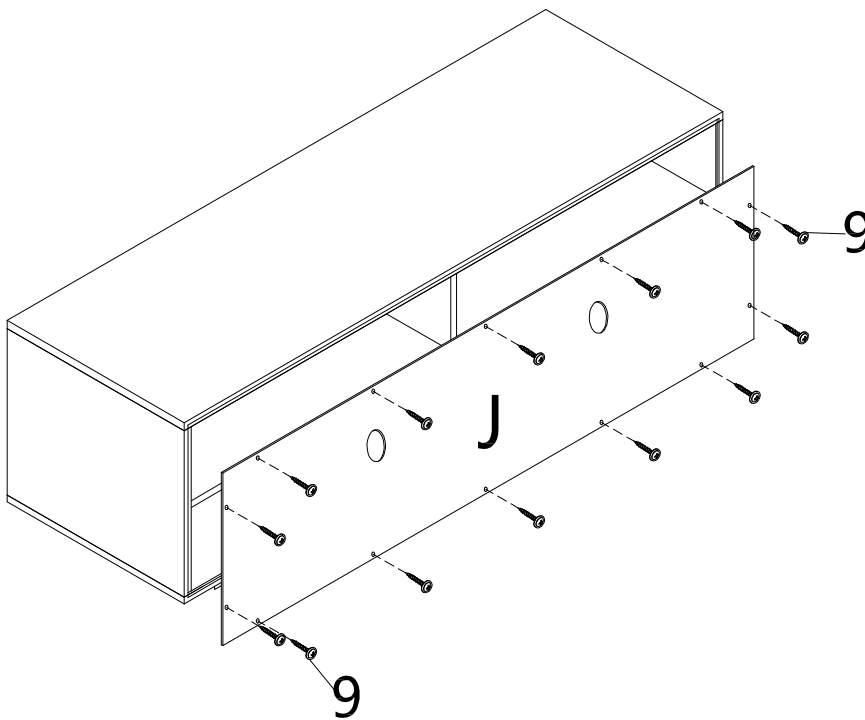
Insert Cam Locks (3) into predrilled holes on pre-assembled unit from Figure 7.

Screw Cam Bolts (2) into pre-drilled holes on Top Panel (A).

Attach Top Panel (A) to pre-assembled unit from Figure 7 by inserting Wood Dowels (1) & Cam Bolts (2) into corresponding pre-drilled holes until all panels meet.

Secure by rotating Cam Locks (3) clockwise with a Phillips screwdriver (not included).

Cover Cam Lock holes with Black Covers (10).

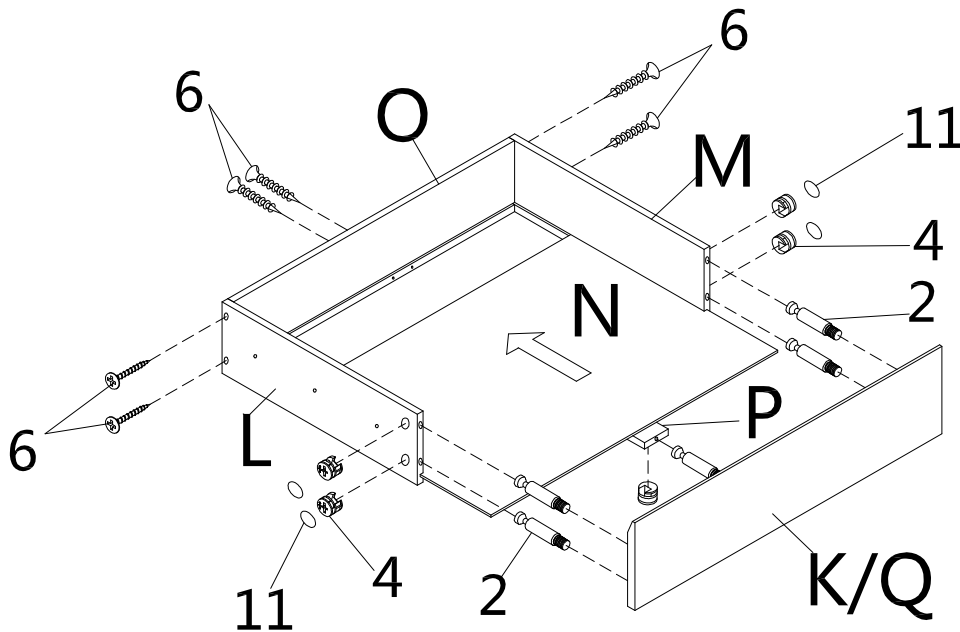


**Figure 10**

Attach Back Panel (J) to pre-assembled unit from Figure 9 With Screws (9).

Tighten Screws (9) with Phillips screwdriver (not included).





**Figure 11**

Attach Drawer Side Panels (**L/M**) to Drawer Back Panel (**O**) with Screws (**6**).

Attach Rail (**P**) to drawer Back Panel (**O**) with Screws (**6**).

Tighten Screws (**6**) with Phillips screwdriver (not included).

Insert the drawer Bottom Panel (**N**) into the corresponding grooves of Drawer Panels (**O/L/M**).

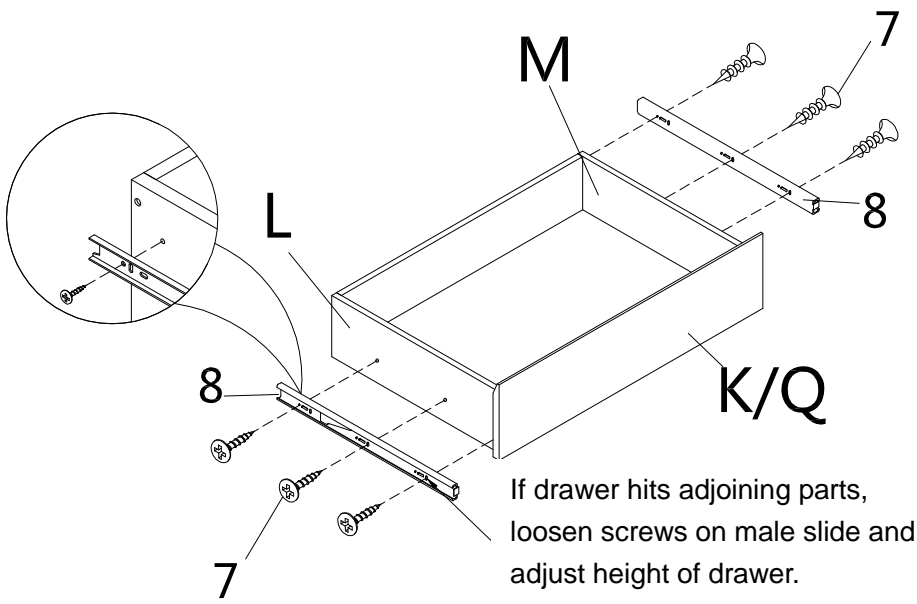
Insert Cam Locks (**4**) into predrilled holes on Drawer Side Panels (**L/M**) and Rail (**P**).

Screw Cam Bolts (**2**) into pre-drilled holes on Drawer Front (**K**).

Attach Drawer Front (**K**) to pre-assembled drawer by inserting Cam Bolts (**2**) into corresponding pre-drilled holes until all panels meet.

Secure by rotating Cam Locks (**3**) clockwise with a Phillips screwdriver (not included).

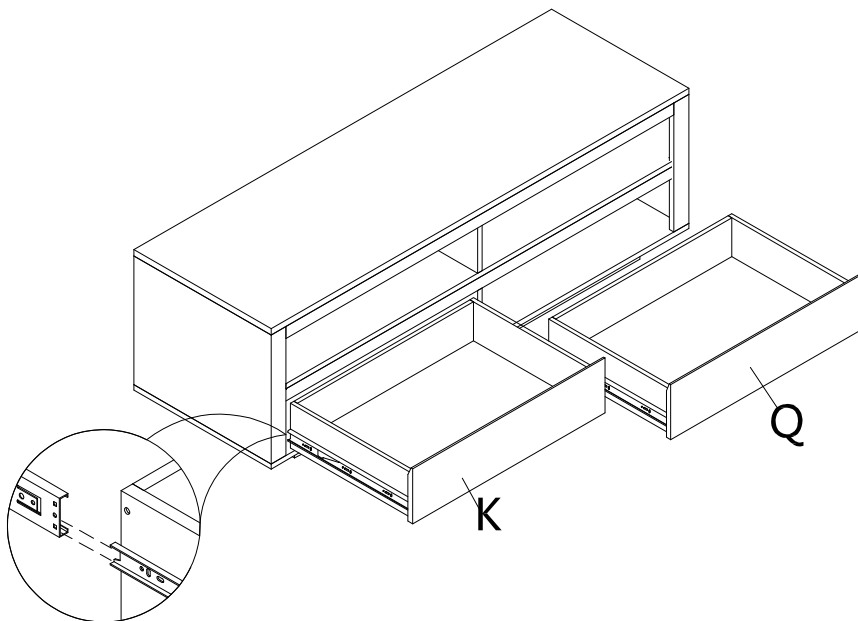
Repeat the process for all drawers.



Attach Male Ball Bearing Slides (8) to drawers with Screws (7).

Tighten screw with Phillips screwdriver (not included).

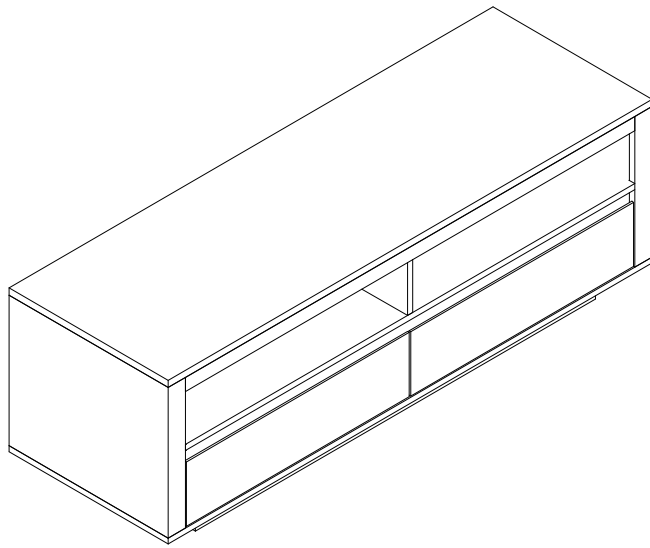
**Figure 12**



Slide drawers into assembled unit from Figure 11 unit.

Ensure male and female slides are lined up correctly and that drawers glide smoothly in and out.

**Figure 13**



**Figure 14**

Now your Mosie Media Stand  
Is ready for use!

# Parts Replacement Form

## Customer Information

Name \_\_\_\_\_

Address \_\_\_\_\_

City/State/Zip Code \_\_\_\_\_

Phone Number \_\_\_\_\_

Please indicate where you purchased this item: Store/Website/Catalog

\_\_\_\_\_

Please indicate color/size/style number:

\_\_\_\_\_

Style No	Parts Letter	Parts Description	Quantity Needed
_____	_____	_____	_____
_____	_____	_____	_____
_____	_____	_____	_____

Please immediately examine this product carefully. Any request for missing parts or damage replacement must be received within 90 days of your receipt of the product. Replacement, if available, will be honored within this time frame. Parts will not be available for items arriving fully assembled. We do not recommend modifying product(s) and we are not responsible for any damages due to product modification(s). If damages or missing parts are not reported within 90 days of your receipt, we are under no obligation to provide parts or replacement merchandise.

Please contact Southern Enterprises at 800-633-5096 or in Dallas 972-869-0111/ 9am – 4pm Mon-Fri Central time if you have product issues or email us at [service@hollyandmartin.com](mailto:service@hollyandmartin.com). Please ask for customer service representative for issues involving damages or replacement parts. Please ask for technical assistance representative for any issues with product and assembly/construction.

Please contact the retailer that you purchased from for returns.



Customer Service [1-800-633-5096](tel:1-800-633-5096)

[service@hollyandmartin.com](mailto:service@hollyandmartin.com)

[www.hollyandmartin.com](http://www.hollyandmartin.com)

600 Freeport Parkway, Suite 200

Coppell, Texas 75019



## CAUTION

The top shelf is intended for a flat screen television with a maximum overall width of 48" and supports up to 85 lb.

The top shelf is NOT INTENDED for tube televisions.

Each media shelf should not be loaded with more than 20 lb.

DO NOT EXCEED RECOMMENDED LOAD. Use with products heavier than the maximum sizes and weights indicated may result in instability causing possible injury.

This unit contains a permanent warning sticker located on underside of top shelf or inside drawer.

Do not allow children under 16 years to move the media stand.

Model: MS995700TX  
Mosie Media Stand  
Southern Enterprises, Inc  
600 Freeport Parkway,  
Suite 200 Coppell, Texas, 75019  
Manufacture Date: 01/07/2016