

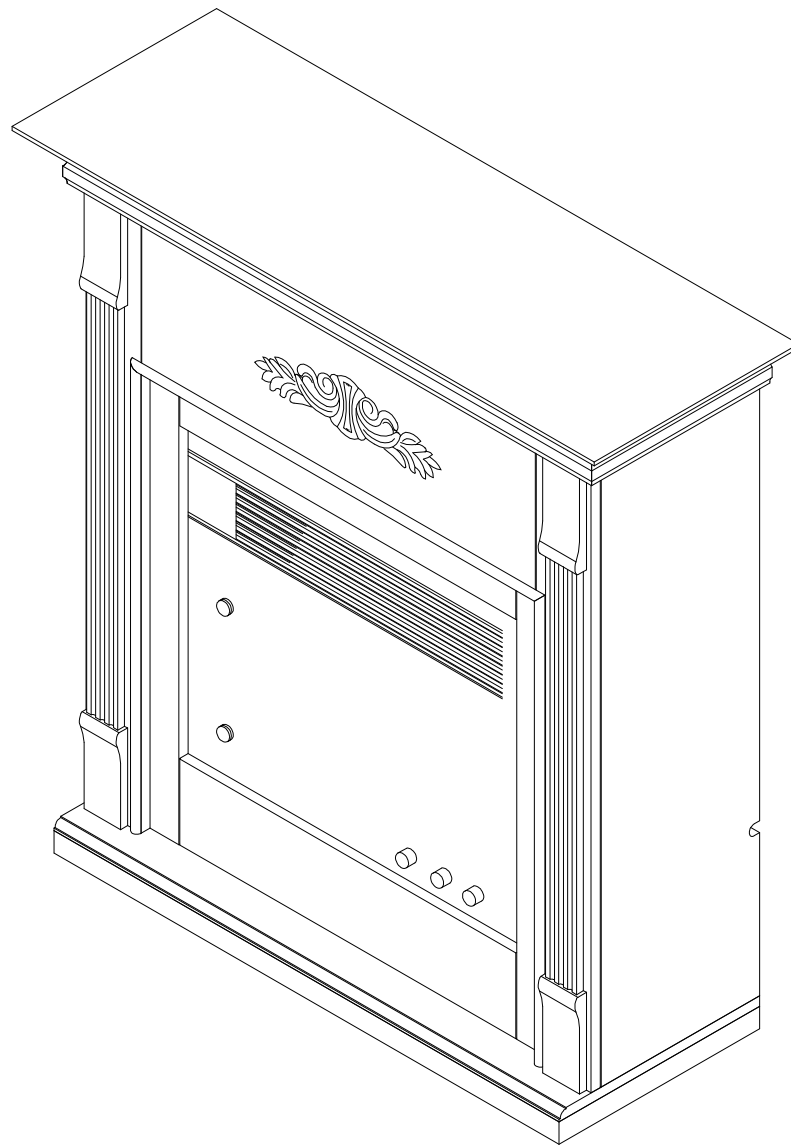
"TERRI" FIREPLACE
FA8547AO - CLASSIC MAHOGANY

FA8549AO - BLACK

Assembly Instructions



For assistance with assembly contact:
Southern Enterprises Inc.
Customer Service 1-800-633-5096
service@seidal.com
www.seidal.com



"TERRI" FIREPLACE Parts List

Please review all parts and hardware before disposing of any packaging. Call Customer Service if missing hardware. Do not return to store/retailer. Screws shown in actual size. Using a screw that is too long will cause damage. Before beginning assembly, separate each type of screw. Carefully study the screw diagrams below (SHOWN ACTUAL SIZE). You may receive extra hardware with your unit.

A



Quantity
of 11

CAM BOLT

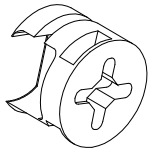
B



Quantity
of 42

WOOD DOWEL

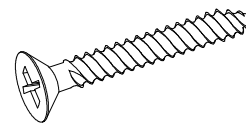
C



Quantity
of 11

CAM LOCK

D

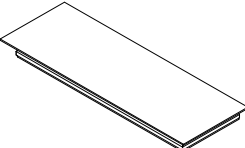
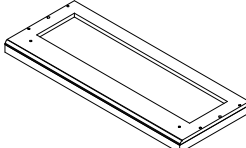
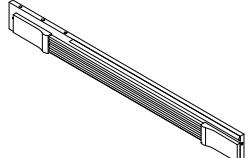
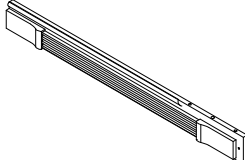
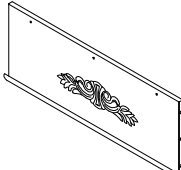
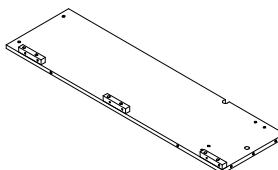
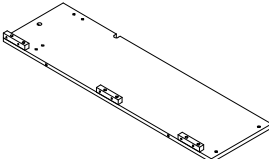
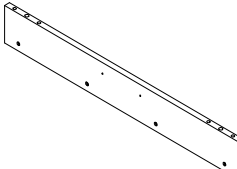
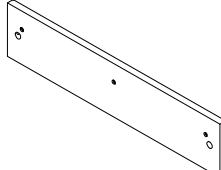
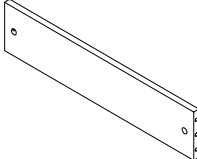
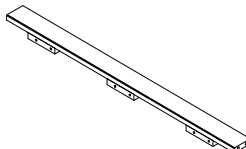
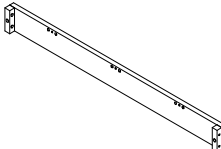
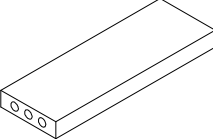
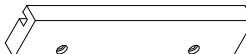
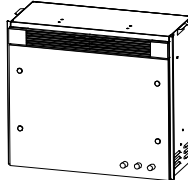


Quantity
of 49

FLAT HEAD LONG SCREW

"TERRI" FIREPLACE Parts List

Please review all parts and hardware before disposing of any packaging. Call Customer Service if missing hardware. Do not return to store/retailer. Screws shown in actual size. Using a screw that is too long will cause damage. Before beginning assembly, separate each type of screw. Carefully study the screw diagrams below (SHOWN ACTUAL SIZE). You may receive extra hardware with your unit.

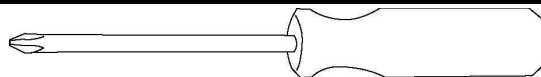
<p>(1) Quantity of 1</p>  <p>TOP PANEL</p>	<p>(2) Quantity of 1</p>  <p>BASE</p>	<p>(3) Quantity of 1</p>  <p>LEFT FRONT PANEL</p>
<p>(4) Quantity of 1</p>  <p>RIGHT FRONT PANEL</p>	<p>(5) Quantity of 1</p>  <p>MIDDLE FRONT PANEL</p>	<p>(6) Quantity of 1</p>  <p>LEFT SIDE PANEL</p>
<p>(7) Quantity of 1</p>  <p>RIGHT SIDE PANEL</p>	<p>(8) Quantity of 2</p>  <p>BACK PANEL(L&R)</p>	<p>(9) Quantity of 1</p>  <p>UPPER CROSS BRACE</p>
<p>(10) Quantity of 1</p>  <p>LOWER CROSS BRACE</p>	<p>(11) Quantity of 1</p>  <p>FRONT RAIL</p>	<p>(12) Quantity of 1</p>  <p>BACK RAIL</p>
<p>(13) Quantity of 3</p>  <p>WOOD CONNECTER</p>	<p>(14) Quantity of 2</p>  <p>WOOD HOLDER</p>	<p>Quantity of 1</p>  <p>FIREBOX</p>

Care and Cleaning Instructions:

Before using, wipe with a clean, dry cloth. Periodically apply furniture wax to renew the finish. Avoid rubbing or scratching the surface with rough or abrasive objects.

For replacement parts or questions, please Call Customer Service at 1-800-633-5096 Do not return product to store, please call Manufacturer for assistance, questions or Parts.

Assembly Tool Required
No.2 Phillips Screwdriver (Not Included)



"TERRI" FIREPLACE Assembly Instructions

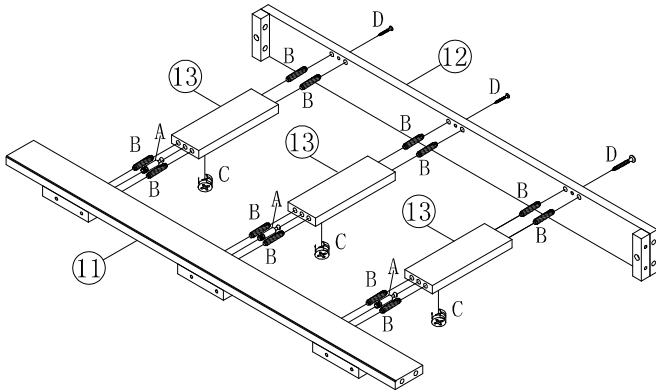


Figure 1

USE GLUE TO FILL 1/4 HOLE OF FRONT/ BACK RAIL & WOOD CONNECTOR (11,12 &13). INSERT 3PCS CAM-BOLT (A), AND 12PCS WOOD DOWEL (B) INTO PREDRILLED HOLES ON FRONT AND BACK RAILS (11&12) , AND FIT INTO CORRESPONDING HOLES ON ENDS OF WOOD CONNECTOR (13). INSERT 3PCS CAM-LOCK (C) INTO BIG HOLES ON UNDERSIDE OF WOOD CONNECTOR (13) WITH SLOT FOR SCREWDRIVER FACING OUTWARD. ROTATE CAM-LOCK (B) CLOCKWISE TO SECURE CAM-BOLT (A). THEN INSERT 3PCS FLAT HEAD LONG SCREW (D) THROUGH PREDRILLED HOLES ON BACK RAIL (12) AND TIGHTEN INTO END OF WOOD CONNECTOR (13). AS FIGURE 1 SHOWN.

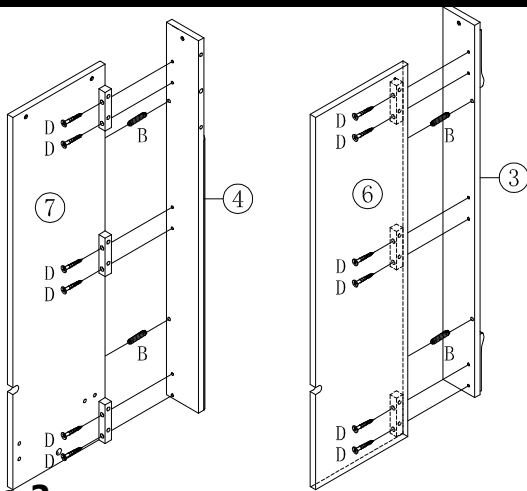


Figure 2

INSERT 4PCS WOOD DOWELS (B) INTO PREDRILLED HOLES ON LEFT AND RIGHT SIDE PANELS (6& 7) AND FIT INTO CORRESPONDING HOLES ON LEFT AND RIGHT FRONT PANELS (3&4). INSERT 12PCS FLAT HEAD LONG SCREW(D) THROUGH PREDRILLED HOLES ON WOOD BARS ON INSIDE OF LEFT AND RIGHT SIDE PANELS (6.7) AND TIGHTEN INTO CORRESPONDING HOLES ON BACK OF LEFT AND RIGHT FRONT PANELS (3.4). AS FIGURE 2 SHOWN.

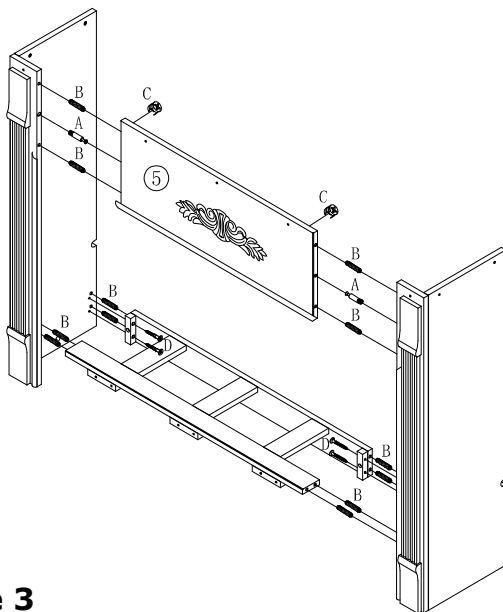


Figure 3

INSERT 2PCS CAM-BOLTS (A), 12PCS WOOD DOWELS (B) INTO PREDRILLED HOLES ON EDGES OF LEFT AND RIGHT FRONT PANELS (3.4), LEFT AND RIGHT SIDE PANELS (6.7) AND FIT INTO CORRESPONDING HOLES ON ENDS OF PARTS (5,11.12). INSERT 2PCS CAM-LOCKS (C) INTO BIG HOLES ON BACK OF MIDDLE FRONT PANEL (5) WITH SLOT FOR SCREWDRIVER FACING OUTWARD. ROTATE CAM-LOCKS (C) CLOCKWISE TO SECURE CAM-BOLTS (A). INSERT 4PCS FLAT HEAD LONG SCREW(D) THROUGH PREDRILLED HOLES ON END OF BACK RAIL (12) AND TIGHTEN INTO CORRESPONDING HOLES ON INSIDE OF LEFT AND RIGHT SIDE PANELS (6&7). AS FIGURE 3 SHOW

"TERRI" FIREPLACE Assembly Instructions

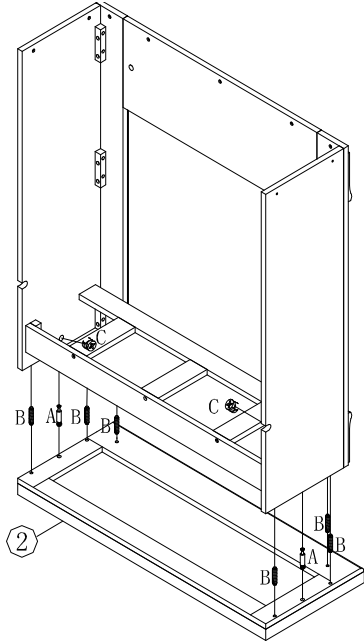


Figure 4

INSERT 2PCS CAM-BOLTS (A) AND 6PCS WOOD DOWELS (B) INTO PREDRILLED HOLES ON UPSIDE OF BASE (2) AND FIT INTO CORRESPONDING HOLES ON BOTTOM EDGES OF THE ASSEMBLED UNIT. INSERT 2PCS CAM-LOCKS (C) INTO BIG HOLES ON INSIDE OF LEFT AND RIGHT SIDE PANELS (6&7) WITH SLOT FOR SCREWDRIVER FACING OUTWARD. ROTATE CAM-LOCKS (C) CLOCKWISE TO SECURE CAM-BOLTS (A). AS FIGURE 4 SHOWN.

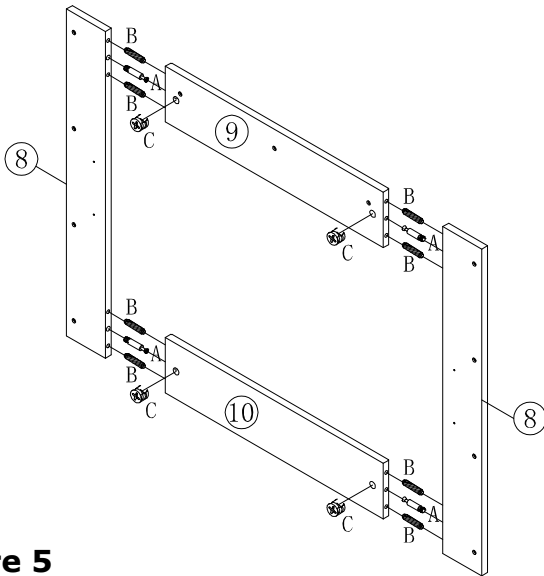


Figure 5

INSERT 4PCS CAM-BOLTS (A) AND 8PCS WOOD DOWELS (B) INTO PREDRILLED HOLES ON EDGES OF LEFT AND RIGHT BACK PANELS (8) AND FIT INTO CORRESPONDING HOLES ON ENDS OF UPPER AND LOWER CROSS BRACE (9&10). INSERT 4PCS CAM-LOCKS (C) INTO BIG HOLES ON BACK OF UPPER AND LOWER CROSS BRACE (9&10) WITH SLOT FOR SCREWDRIVER FACING OUTWARD. ROTATE CAM-LOCKS (C) CLOCKWISE TO SECURE CAM-BOLTS (A). AS FIGURE 5 SHOWN.

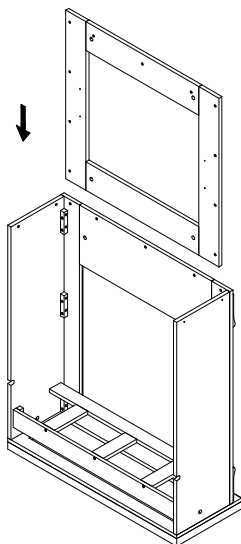


Figure 6

INSERT THE FRAME ON BACK OF ABOVE UNIT ONTO CORRESPONDING FRAME UPRIGHTLY.

"TERRI" FIREPLACE Assembly Instructions

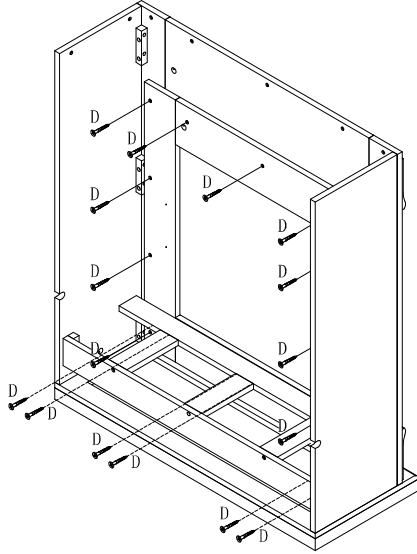


Figure 7

INSERT 17PCS WOOD SCREWS (D) THROUGH PREDRILLED HOLES ON PARTS (8,9,10) AND TIGHTEN IT CLOCKWISE.

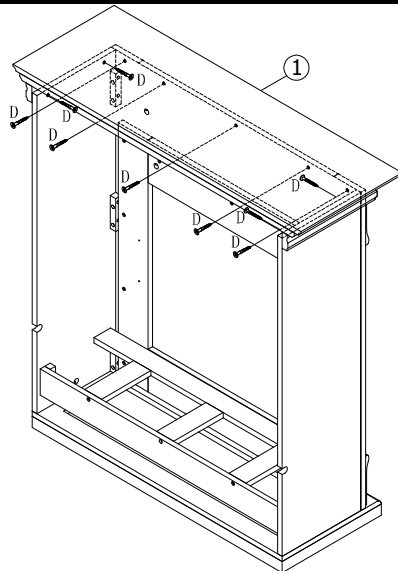


Figure 8

PLACE TOP PANEL (1) ONTO TOP EDGES, ATTACH IT TO THE UNIT BY USING 9PCS FLAT HEAD LONG SCREW (D) AS FIGURE 8 SHOWN.

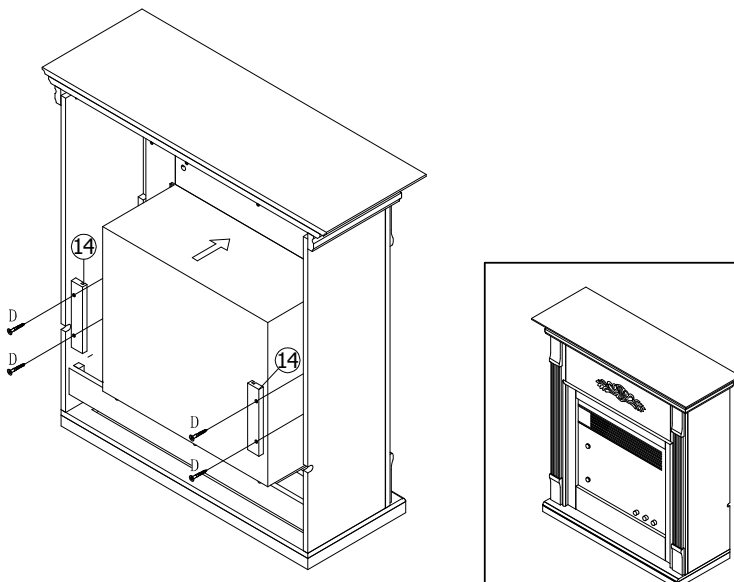


Figure 9

INSERT THE FIREBOX TO THE UNIT. MAKE SURE THE FIREBOX IS PRESSED TIGHTLY AGAINST THE ASSEMBLED UNIT. ATTACH THE WOOD HOLDERS (14) ON THE SIDES OF FIREBOX (15). INSERT 4PCS FLAT HEAD LONG SCREW (D) THROUGH PREDRILLED HOLES ON WOOD HOLDER (14) AND TIGHTEN INTO CORRESPONDING HOLES ON BACK OF LEFT AND RIGHT BACK PANELS (8). AS FIGURE 9 SHOWN.



Customer Service 1-800-633-5096

service@seidal.com

Southern Enterprises, Inc.

2915 Merrell Road

Dallas, Texas 75229

FA8547/49A0TX - Parts Replacement Form

Customer Information

Name _____

Address _____

City/State/Zip Code _____

Phone Number _____

Please indicate where you purchased this item: Store/Website/Catalog

Please indicate color/size/style number:

Style No	Parts Letter	Parts Description	Quantity Needed
----------	--------------	-------------------	-----------------

Missing or damaged hardware and/or parts will be replaced free of charge. We do not sell parts. Southern Enterprises Inc. will provide replacement parts for only those items purchased within the last 9 months. If this product has not been purchased from our retail affiliates (within 9 months), we are under no obligation to provide parts or replacement merchandise. Parts will not be available for items arriving fully assembled. Parts will be sent if available from SEI.

The fireplace mantel will fit both gel fuel and electric firebox inserts. Depending on the insert ordered only one insert will be included. Not recommended to put electronic equipment on or above a mantel due to the heat.

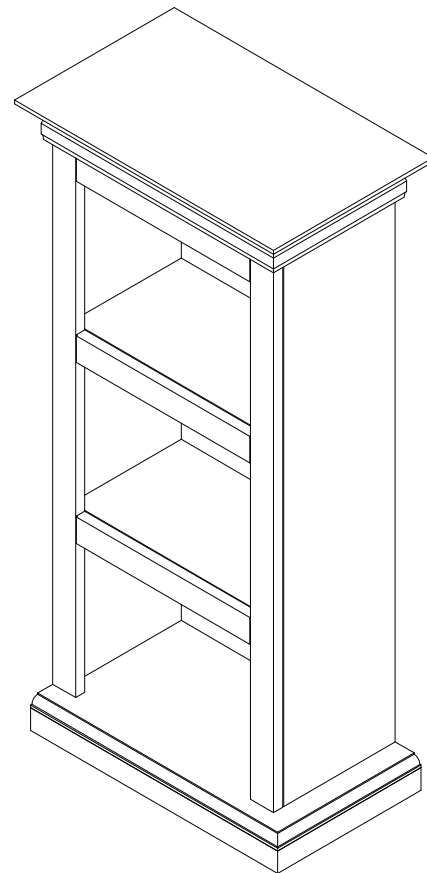
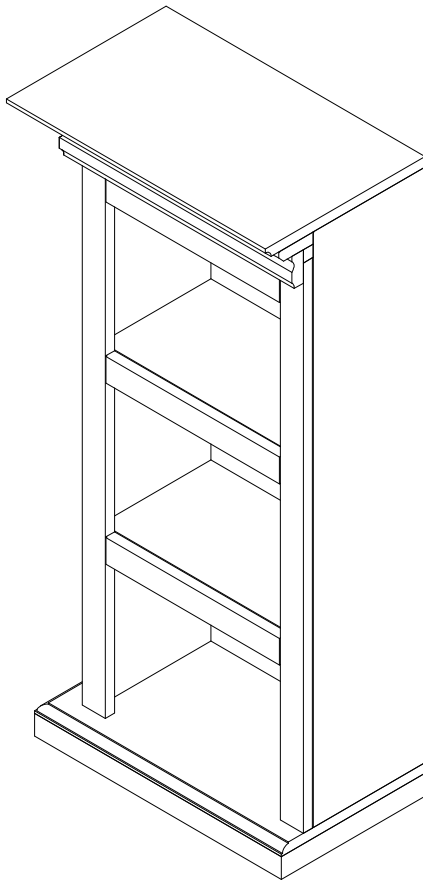
"TERRI"PAIR OF BOOKCASES
FA8547BO - CLASSIC MAHOGANY

FA8549BO - BLACK

Assembly Instructions



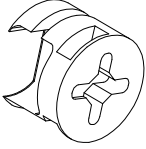
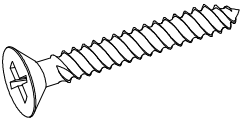
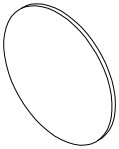
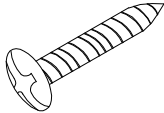


For assistance with assembly contact:
Southern Enterprises Inc.
Customer Service 1-800-633-5096
service@seidal.com
www.seidal.com



"TERRI" PAIR OF BOOKCASES Parts List

Please review all parts and hardware before disposing of any packaging. Call Customer Service if missing hardware. Do not return to store/retailer. Screws shown in actual size. Using a screw that is too long will cause damage. Before beginning assembly, separate each type of screw. Carefully study the screw diagrams below (SHOWN ACTUAL SIZE). You may receive extra hardware with your unit.

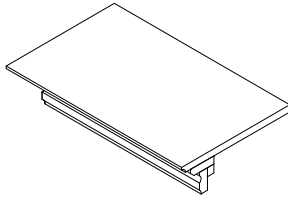
A  CAM BOLT	Quantity of 24 B  WOOD DOWEL
C  CAM LOCK	Quantity of 24 D  FLAT HEAD LONG SCREW
E  COVER	Quantity of 16 F  WOOD SCREW

"TERRI" PAIR OF BOOKCASES

Parts List

Please review all parts and hardware before disposing of any packaging. Call Customer Service if missing hardware. Do not return to store/retailer. Screws shown in actual size. Using a screw that is too long will cause damage. Before beginning assembly, separate each type of screw. Carefully study the screw diagrams below (SHOWN ACTUAL SIZE). You may receive extra hardware with your unit.

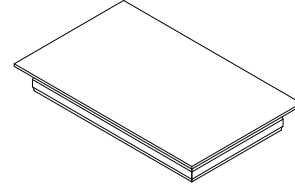
(1)



Quantity
of 1

LEFT BOOKCASE TOP

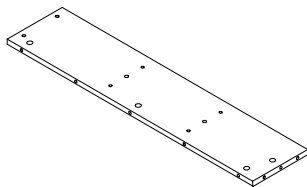
(2)



Quantity
of 1

RIGHT BOOKCASE TOP

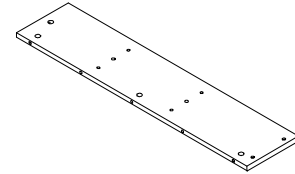
(3)



Quantity
of 1

LEFT SIDE OF LEFT BOOKCASE

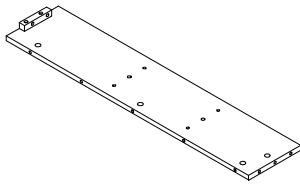
(4)



Quantity
of 1

RIGHT SIDE OF RIGHT BOOKCASE

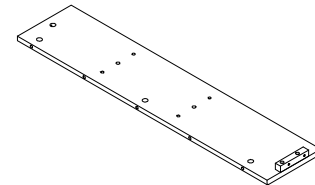
(5)



Quantity
of 1

LEFT SIDE OF RIGHT BOOKCASE

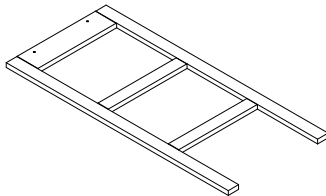
(6)



Quantity
of 1

RIGHT SIDE OF LEFT BOOKCASE

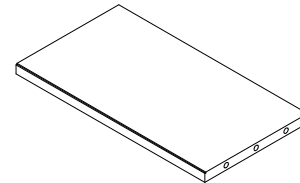
(7)



Quantity
of 2

FRONT FRAME

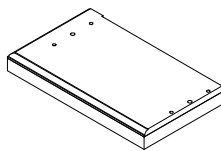
(8)



Quantity
of 4

FIXED SHELF

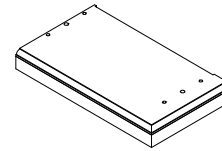
(9)



Quantity
of 1

LEFT BOOKCASE BASE

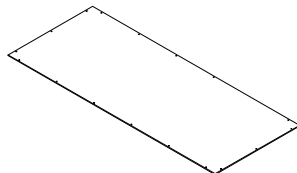
(10)



Quantity
of 1

RIGHT BOOKCASE BASE

(11)



Quantity
of 2

BACK PANEL

Care and Cleaning Instructions:

Before using, wipe with a clean, dry cloth. Periodically apply furniture wax to renew the finish. Avoid rubbing or scratching the surface with rough or abrasive objects.

For replacement parts or questions, please Call Customer Service at 1-800-633-5096 Do not return product to store, please call Manufacturer for assistance, questions or Parts.

Assembly Tool Required
No.2 Phillips Screwdriver (Not Included)

"TERRI" PAIR OF BOOKCASES Assembly Instructions

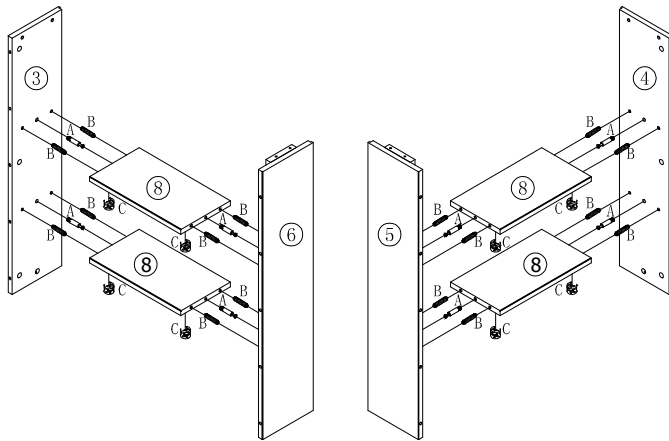


Figure 1

USE GLUE (F) TO FILL 1/4 CORRESPONDING HOLES OF LEFT/RIGHT SIDES OF BOOKCASES (3,4,5,6), INSERT 8PCS CAM-BOLTS (A), 16PCS WOOD DOWELS (B) INTO PREDRILLED HOLES ON INSIDES OF LEFT AND RIGHT SIDES OF BOOKCASES (3,4,5,6) AND FIT INTO CORRESPONDING HOLES ON ENDS OF FIXED SHELVES (8). INSERT 8PCS CAM-LOCKS (1) INTO BIG HOLES ON UNDERSIDE OF FIXED SHELVES (8) WITH SLOT FOR SCREWDRIVER FACING OUTWARD. ROTATE CAM-LOCKS (C) CLOCKWISE TO SECURE CAM-BOLTS (A). PUSH COVERS (E) INTO CAM-LOCKS (C). AS FIGURE 1 SHOWN.

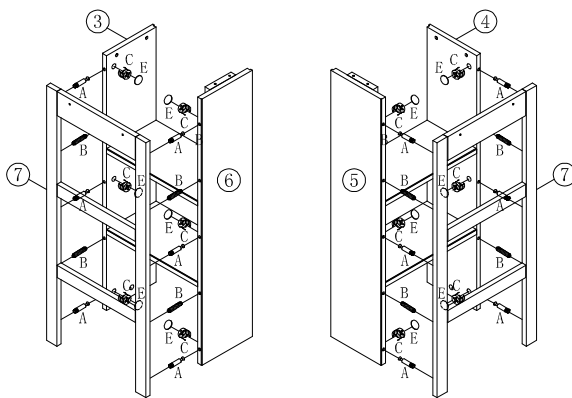


Figure 2

INSERT 12PCS CAM-BOLTS (A), 8PCS WOOD DOWELS (B) INTO PREDRILLED HOLES ON BACK OF FRONT FRAMES (7) AND FIT INTO CORRESPONDING HOLES ON FRONT EDGES OF LEFT AND RIGHT SIDES OF BOOKCASES (3,4,5,6). INSERT 12PCS CAM-LOCKS (C) INTO BIG HOLES ON INSIDES OF LEFT AND RIGHT SIDES OF BOOKCASES (3,4,5,6) WITH SLOT FOR SCREWDRIVER FACING OUTWARD. ROTATE CAM-LOCKS (C) CLOCKWISE TO SECURE CAM-BOLTS (A). PUSH COVERS (E) INTO CAM-LOCKS (C). AS FIGURE 2 SHOWN.

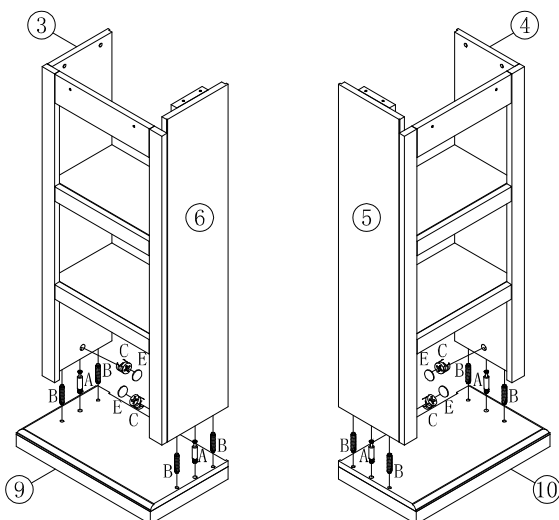


Figure 3

INSERT 4PCS CAM-BOLTS (A), 8PCS WOOD DOWELS (B) INTO PREDRILLED HOLES ON UPSIDE OF LEFT AND RIGHT BASES (9&10) AND FIT INTO CORRESPONDING HOLES ON BOTTOM EDGES OF LEFT AND RIGHT SIDES OF BOOKCASES (3,4,5,6). INSERT 4PCS CAM-LOCKS (C) INTO BIG HOLES ON INSIDES OF LEFT AND RIGHT SIDES OF BOOKCASE (3,4,5,6) WITH SLOT FOR SCREWDRIVER FACING OUTWARD. ROTATE CAM-LOCKS (C) CLOCKWISE TO SECURE CAM-BOLTS (A). PUSH COVERS (E) INTO CAM-LOCKS (C). AS FIGURE 3 SHOWN.

"TERRI" PAIR OF BOOKCASES Assembly Instructions

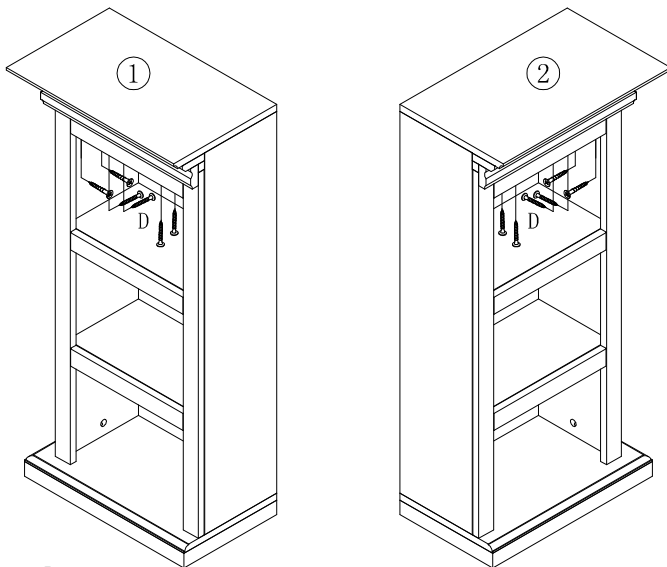


Figure 4

PLACE THE BOOKCASE TOPS (1,2) ONTO TOP EDGES OF LEFT AND RIGHT SIDES OF BOOKCASES (3,4,5,6). INSERT 12PCS FLAT HEAD LONG SCREWS (D) THROUGH PREDRILLED HOLES ON PARTS (3,4,5,6) AND TIGHTEN INTO CORRESPONDING HOLES ON UNDERSIDE OF BOOKCASE TOPS (1.2). AS FIGURE 4 SHOWN.

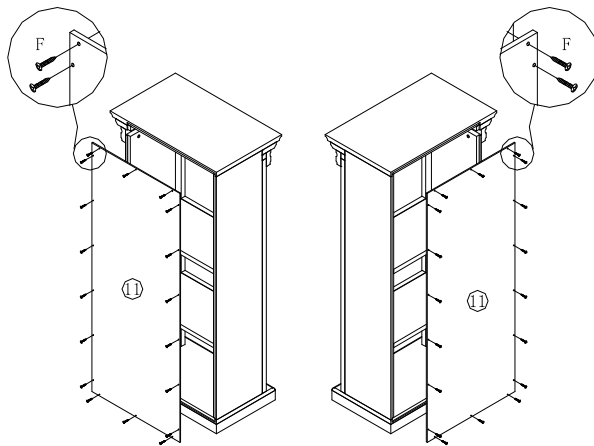


Figure 5

ATTACH THE BACK PANELS (11) ONTO THE UNITS BY USING 36PCS WOOD SCREWS (G) AS FIGURE 5 SHOWN.

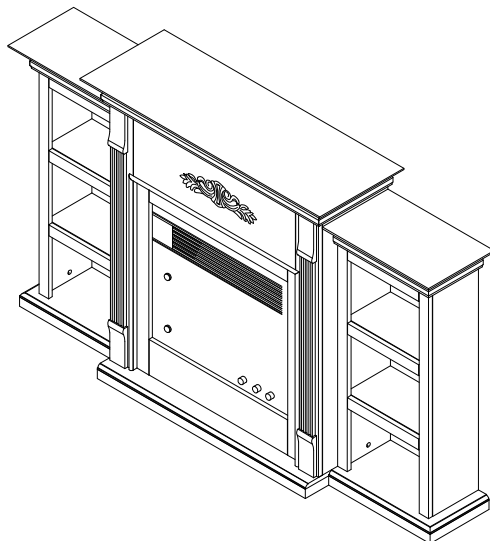


Figure 6

PLACE THE TERRI BOOKCASES BESIDE THE TERRI FIREPLACE.



Customer Service 1-800-633-5096

service@seidal.com

Southern Enterprises, Inc.

2915 Merrell Road

Dallas, Texas 75229

FA8547/49BO - Parts Replacement Form

Customer Information

Name

Address

City/State/Zip Code

Phone Number

Please indicate where you purchased this item: Store/Website/Catalog

Please indicate color/size/style number:

Style No

Parts Letter

Parts Description

Quantity Needed

Missing or damaged hardware and/or parts will be replaced free of charge. We do not sell parts. Southern Enterprises Inc. will provide replacement parts for only those items purchased within the last 9 months. If this product has not been purchased from our retail affiliates (within 9 months), we are under no obligation to provide parts or replacement merchandise. Parts will not be available for items arriving fully assembled. Parts will be sent if available from SEI.