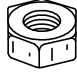


ASSEMBLY INSTRUCTIONS

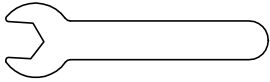
LIST OF WOODEN PARTS		
NO	DESCRIPTION	Q'TY
A	TABLE TOP	1 PC
B	LEG FRAME	4 PCS

LIST OF HARDWARE PARTS :

C  WASHER 4 PCS

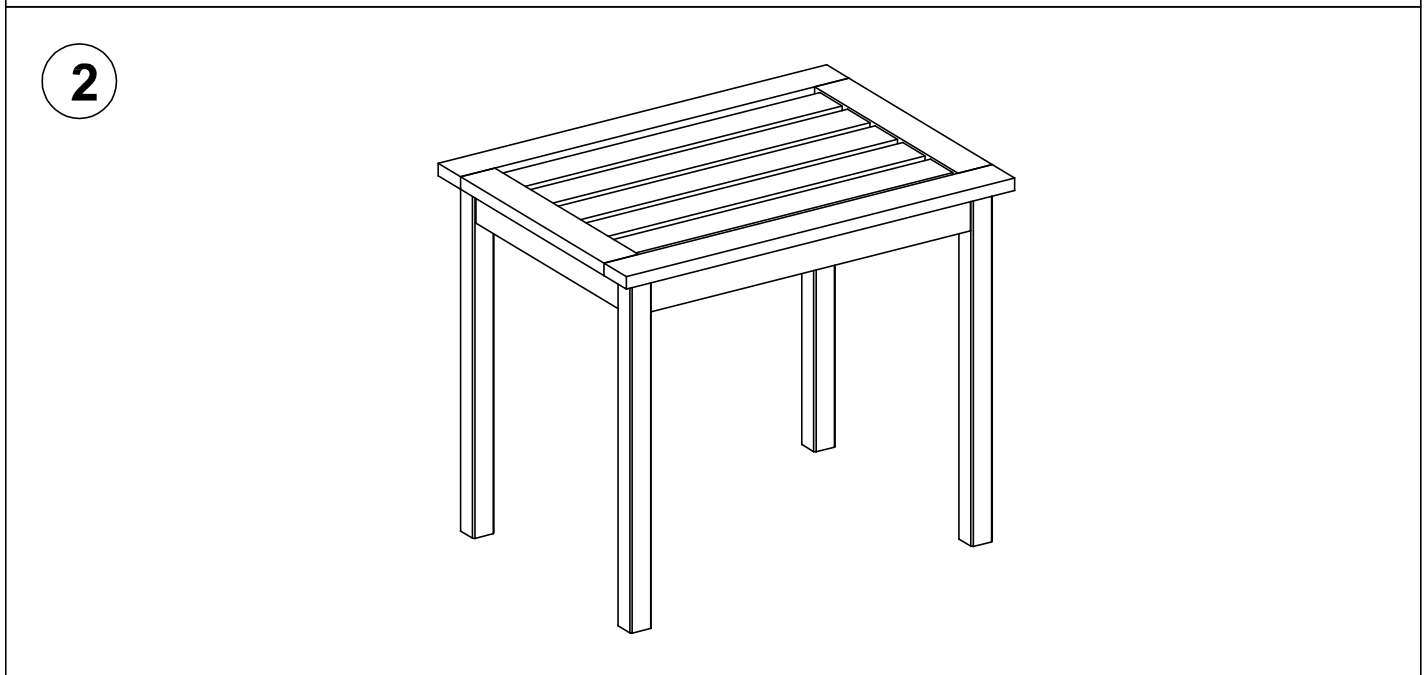
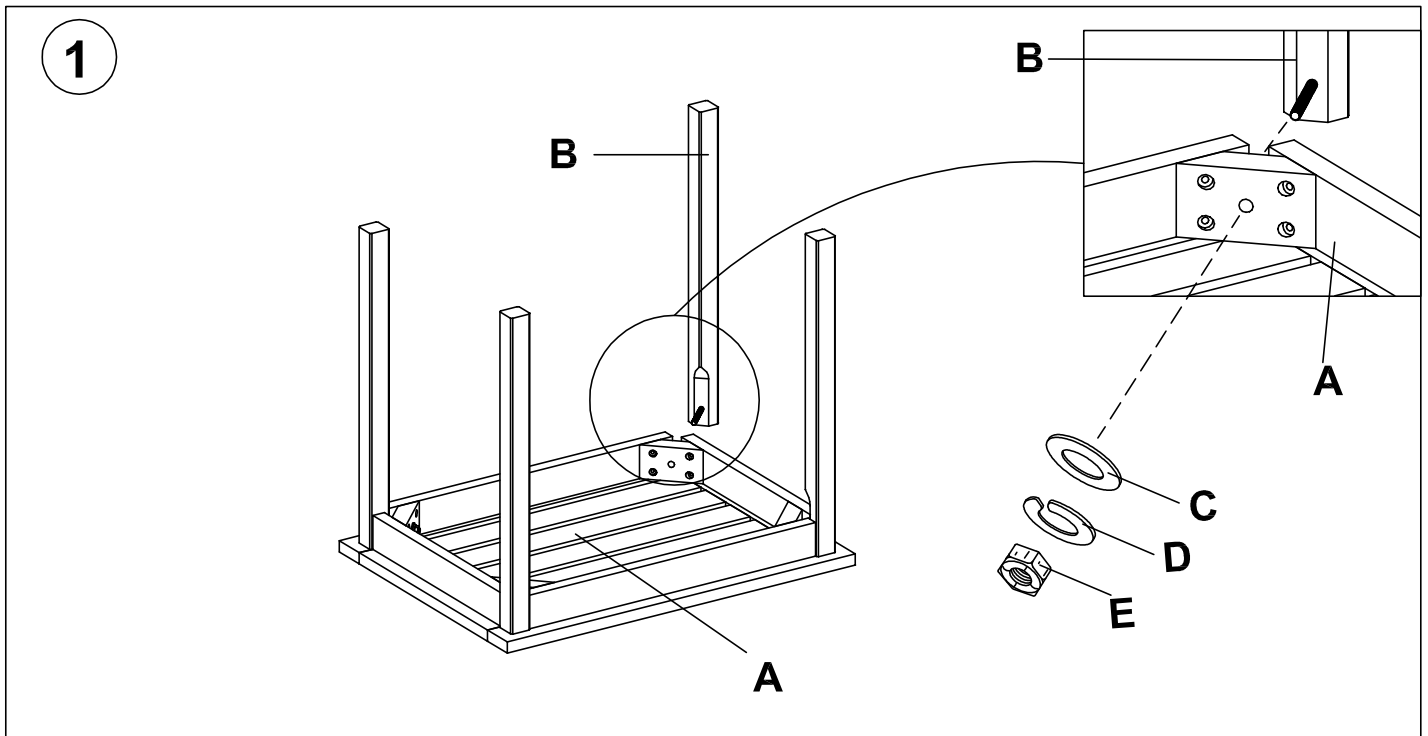
E  NUT 4 PCS

D  SPRING WASHER 4 PCS



WRENCH 1 PC (PROVIDED)

NOTE : 1. PLEASE READ THE INSTRUCTION SHEET CAREFULLY BEFORE YOU START ASSEMBLY.
2. PLEASE DO NOT TIGHTEN THE NUTS UNTIL ALL BOLTS ARE IN THE CORRECT POSITION AS SHOWN IN THE DIAGRAM.



IT-180431BK (CR020700TX)