

CM501500TX

Cardamon 3-Drawer Sideboard

Assembly Instructions



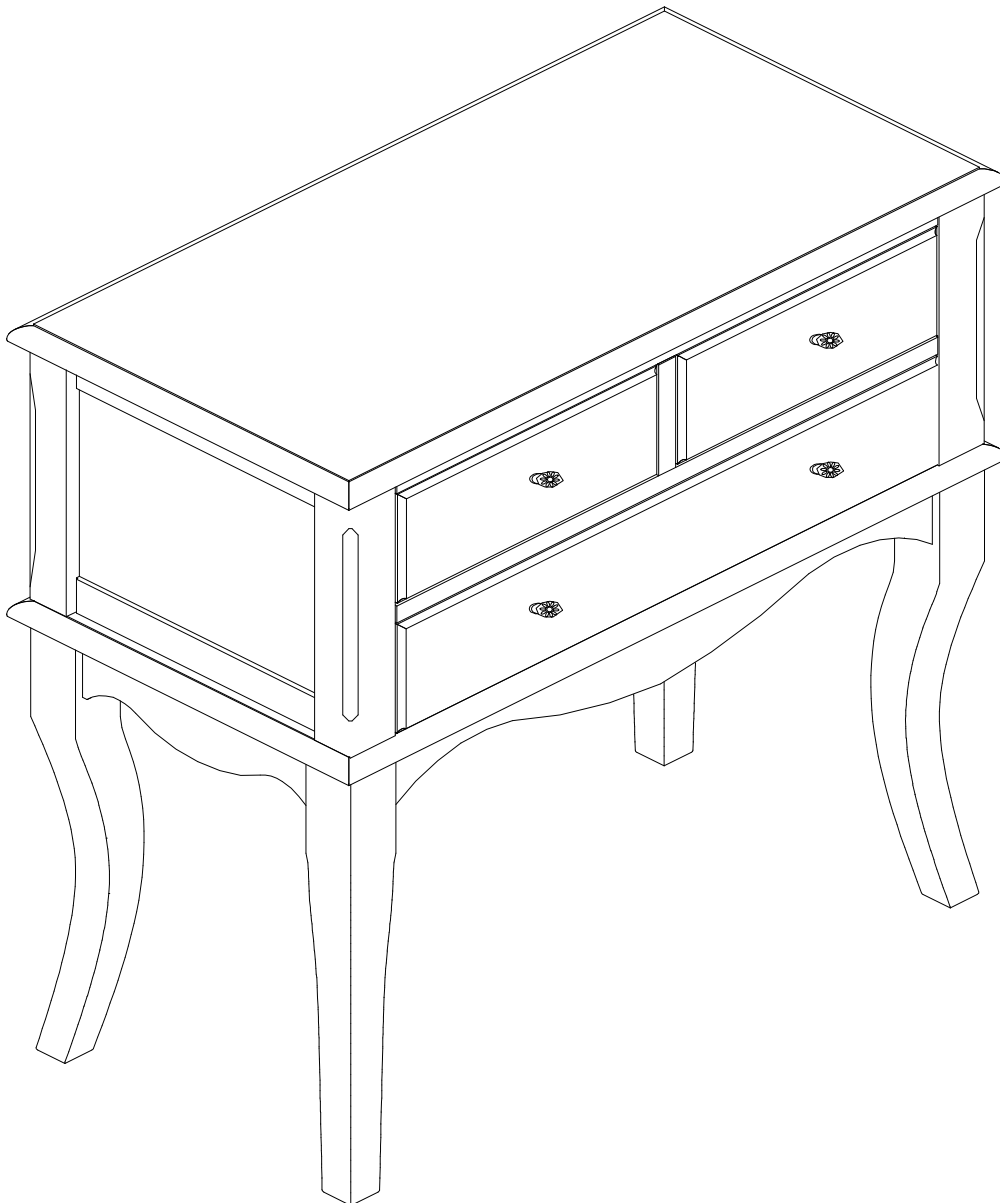
Southern
ENTERPRISES

For assistance with assembly, contact:
Southern Enterprises, Inc.

Customer Service: 1-800-633-5096
service@seidal.com

www.seifurniturestore.com

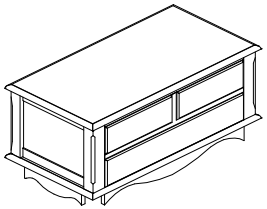

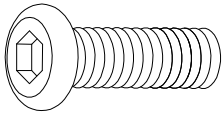
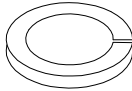
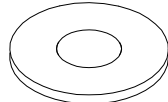
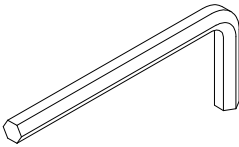
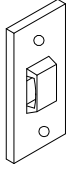
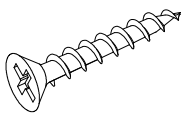
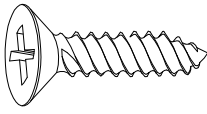
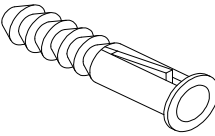

PO:



Cardamon 3-Drawer Sideboard

Parts List

Please check packaging for all parts and hardware before discarding. Unpack and lay parts on clean, padded surface like carpet or a blanket. Check that you have all the parts indicated. Call customer service if any hardware is missing. Before beginning assembly, carefully study the diagrams below and sort your hardware according to the pictures. Using the incorrect hardware will cause damage.

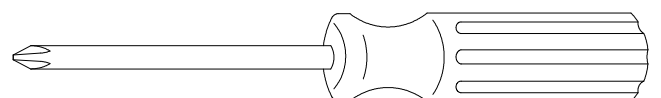
<p>A. Quantity of 1</p>  <p>Top Panel</p>	<p>B. Quantity of 4</p>  <p>Leg</p>		
<p>1 Quantity of 8</p>  <p>Bolt</p>	<p>2 Quantity of 8</p>  <p>Spring Washer</p>	<p>3 Quantity of 8</p>  <p>Flat Washer</p>	
<p>4 Quantity of 1</p>  <p>Allen Wrench</p>	<p>5 Quantity of 4</p>  <p>Bracket</p>	<p>6 Quantity of 4</p>  <p>Screw $\text{\O} 1/8" \times 1-1/2"L$</p>	
<p>7 Quantity of 4</p>  <p>Screw $\text{\O} 1/8" \times 5/8"L$</p>	<p>8 Quantity of 4</p>  <p>Anchor</p>	<p>9 Quantity of 2</p>  <p>Plastic strap</p>	

Care and Cleaning Instructions:

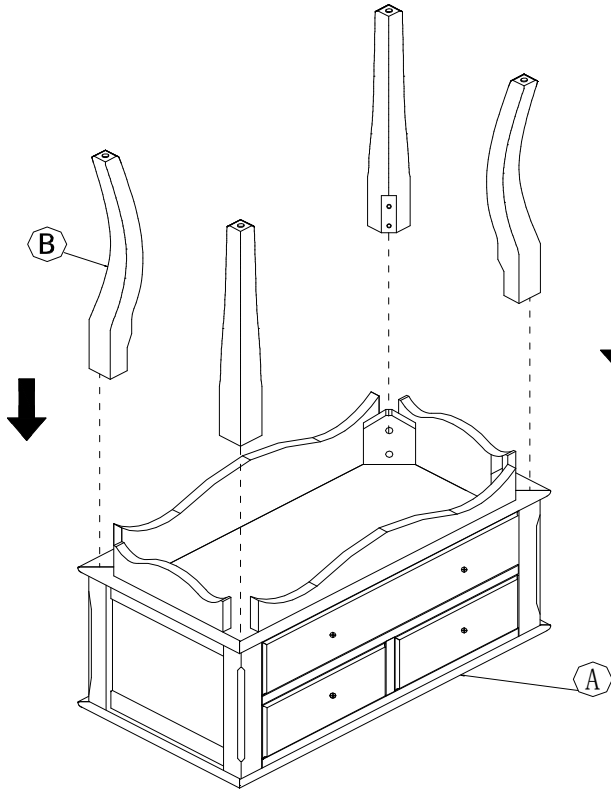
Before using, wipe with a clean, dry cloth.
Periodically apply furniture wax to renew the finish.
Avoid rubbing or scratching the surface with rough or abrasive objects.

For replacement parts or questions, please call SEI customer service at 1-800-633-5096.

Assembly Tool Required:
No.2 Phillips Screwdriver (Not Included)

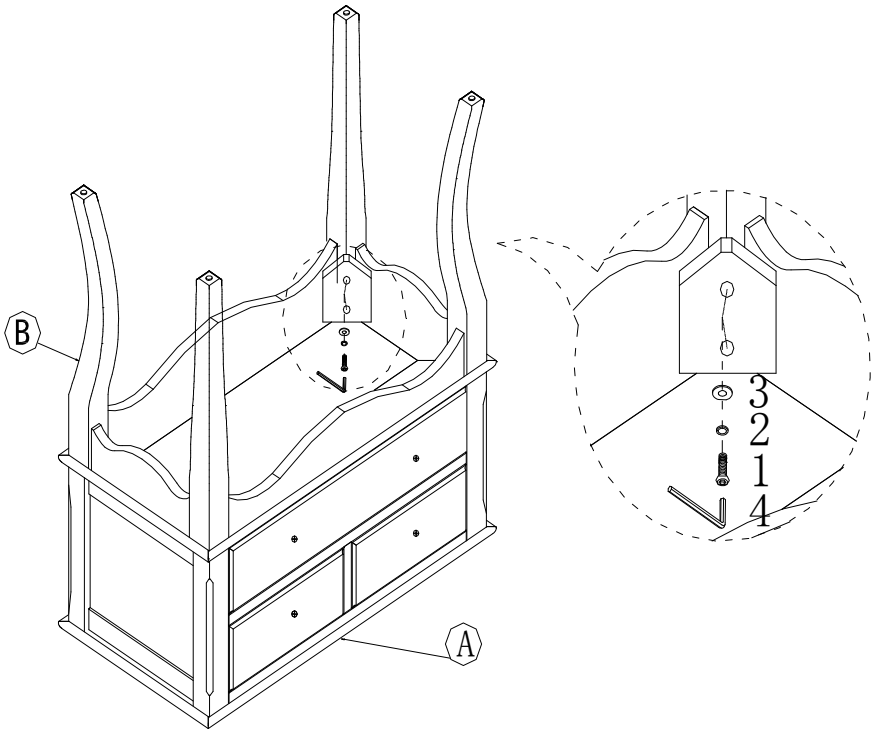


Cardamon 3-Drawer Sideboard Assembly Instructions



Attach Legs **(B)** to Top Panel **(A)**.

Figure 1



Secure Legs **(B)** with Top Panel **(A)** using Bolts **(1)**, Spring Washers **(2)** and Flat Washers **(3)**.

Tighten bolts with Allen Wrench **(4)**.

Figure 2

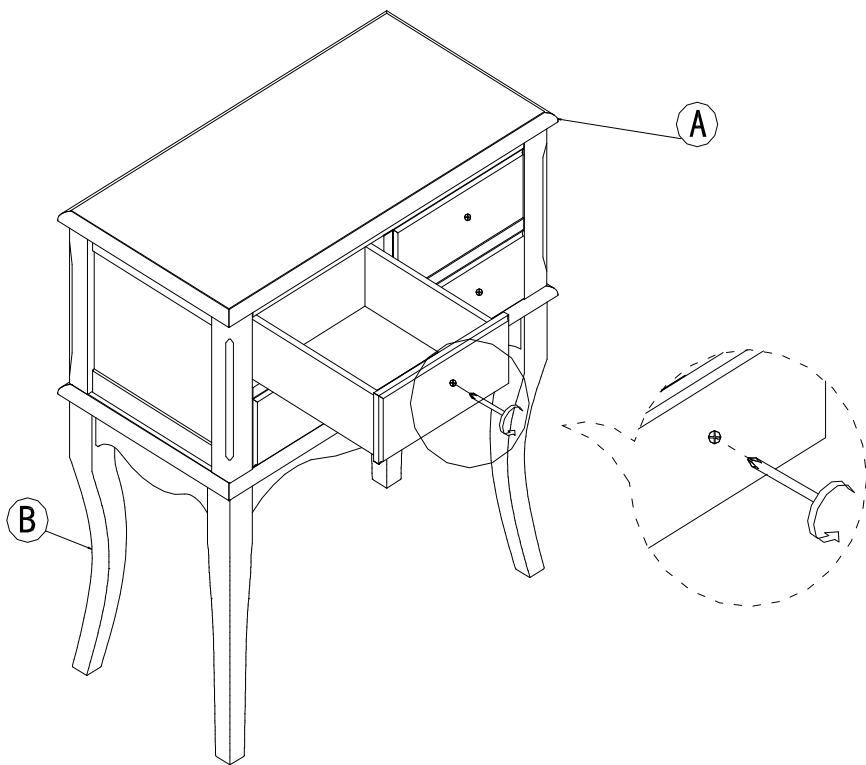


Figure 3

Turn the assembled unit over, pull the drawer out of Top Panel **(A)**.

Use Phillips Screwdriver (not included) to unscrew the pre-attached knob (inside of drawer face.)

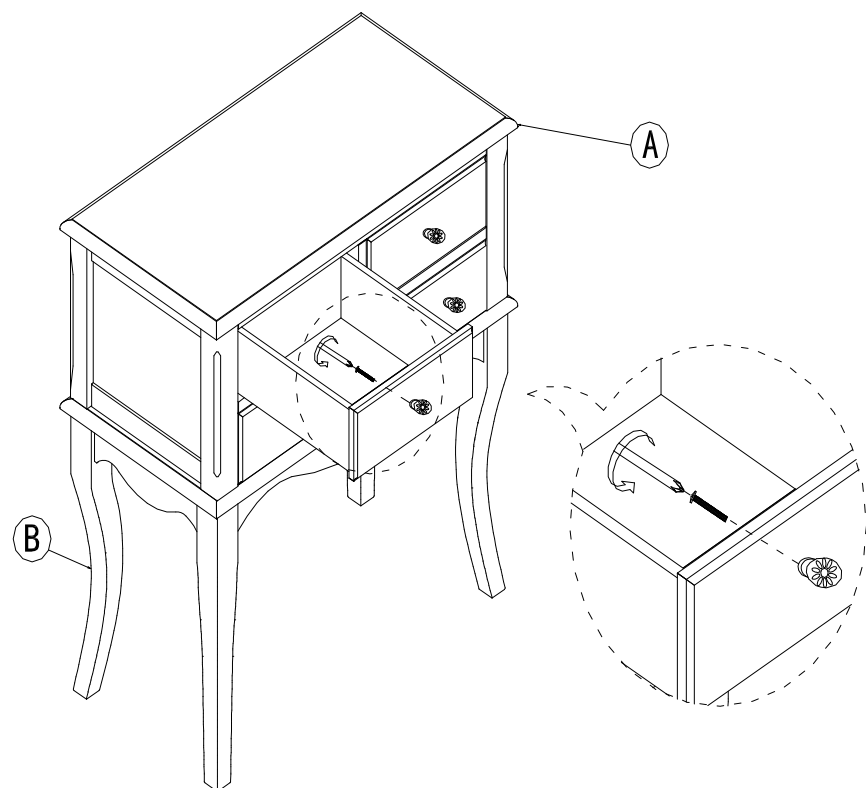


Figure 4

Attach the knob to outside of drawer face using Phillips Screwdriver (not included).

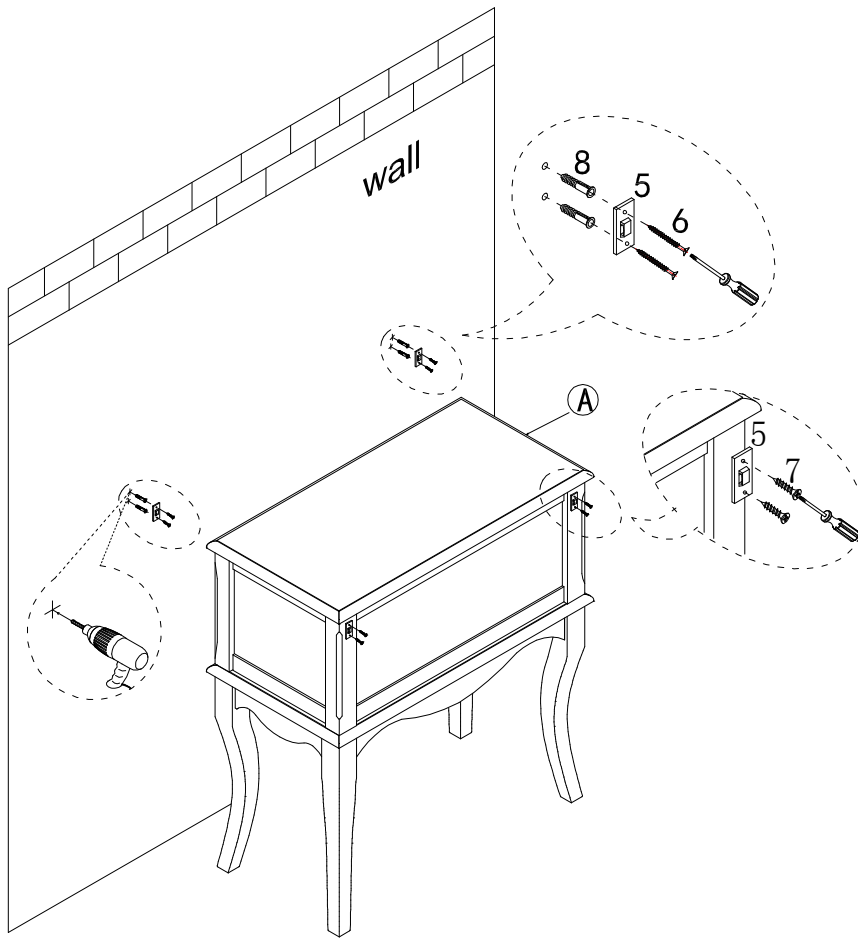


Figure 5

Attach Brackets (5) to back Panel using Short Screws (7). Tighten Screws (7) using Philips screwdriver (not included).

Mark two desired locations on wall.

Drill two 3/16" holes on wall.

Insert Plastic Anchors (8) into the 2 holes on the wall. (When doing this, you will need a hammer help you).

Then attach the Brackets (5) to wall using Long Screws (6). Tighten Screws (6) using Philips screw driver (not included).

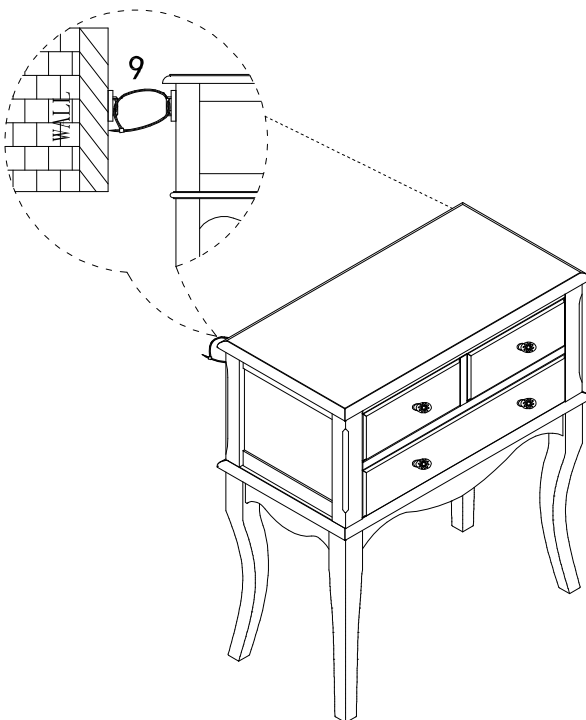
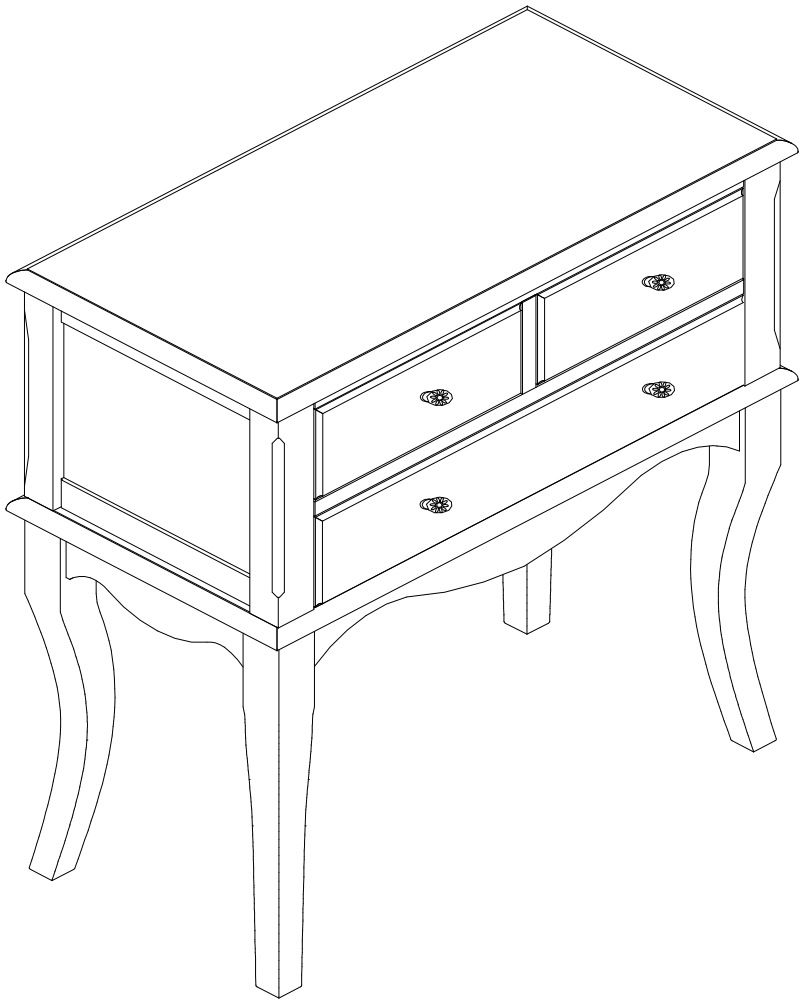


Figure 6

Move the Sideboard close to the fastened wall Brackets (5) and tie in both Brackets (5) with Plastic Straps (9) as shown in diagram.

Warning: Anti-tipping hardware must be used for this product to avoid tipping and injury.



Now the assembly of your Cardamon 3-Drawer is complete and ready to use.

Figure 7

Parts Replacement Form

Customer Information

Name _____

Address _____

City/State/Zip Code _____

Phone Number _____

Please indicate where you purchased this item: Store/Website/Catalog

Please indicate color/size/style number:

Style No	Parts Letter	Parts Description	Quantity Needed
----------	--------------	-------------------	-----------------

_____	_____	_____	_____
_____	_____	_____	_____
_____	_____	_____	_____

Please immediately examine this product carefully. Any request for missing parts or damage replacement must be received within 90 days of your receipt of the product. Replacement, if available, will be honored within this time frame. Parts will not be available for items arriving fully assembled. We do not recommend modifying product(s) and we are not responsible for any damages due to product modification(s). If damages or missing parts are not reported within 90 days of your receipt, we are under no obligation to provide parts or replacement merchandise.

For product issues, please contact Southern Enterprises at 800-633-5096 (toll-free) / 972-869-0111 (Dallas), Mon-Fri 9am – 4pm CST, or email us at service@seidal.com. Please ask for customer service representative for issues involving damages or replacement parts. Please ask for technical assistance representative for any issues with product and assembly/construction.

Please contact the retailer that you purchased from for returns.



Southern
ENTERPRISES

Customer Service: 1-800-633-5096
service@seidal.com

Southern Enterprises, Inc.
600 Freeport Parkway, Suite 200
Coppell, Texas 75019