

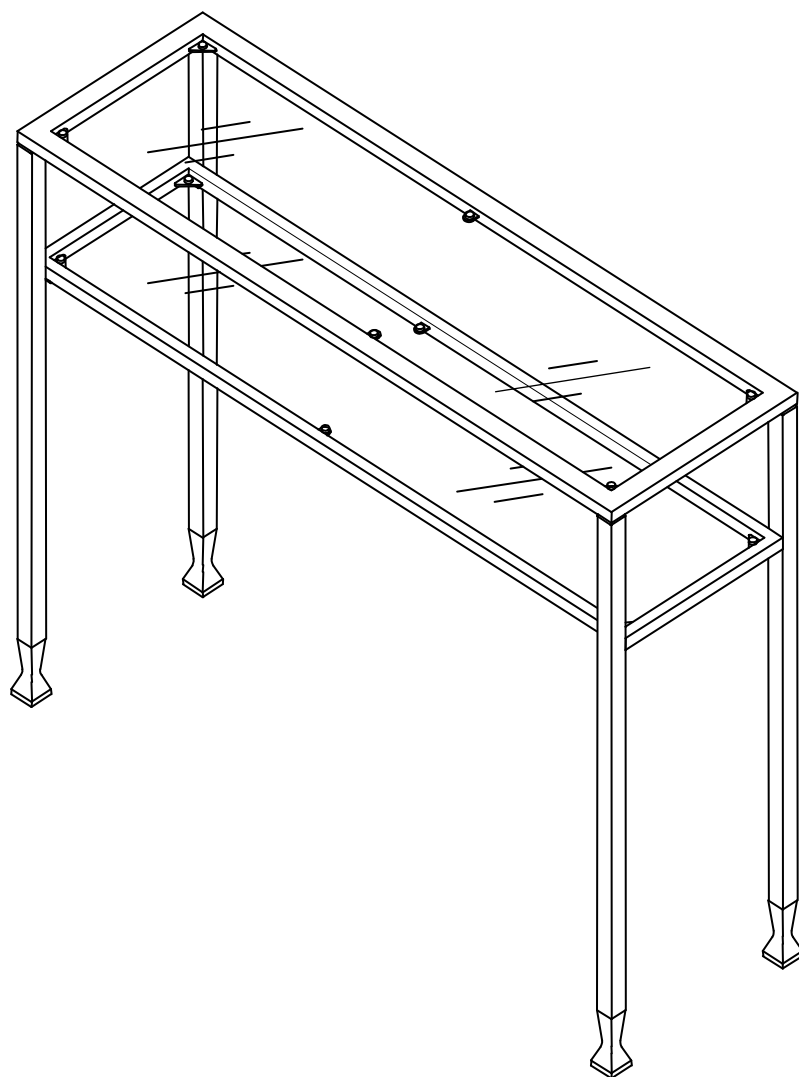
CK877300TX - BLACK
CK077300TX - SILVER
METAL SOFA TABLE
Assembly Instructions



Southern
ENTERPRISES

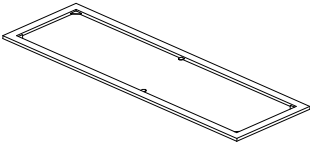
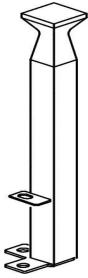
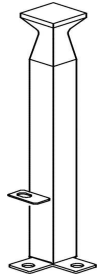
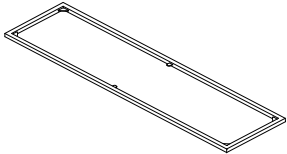
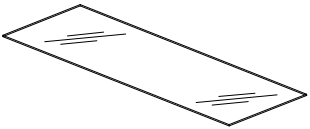
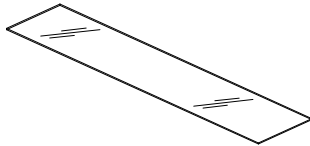
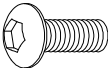

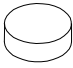
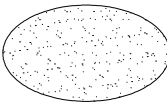
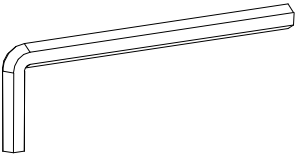
For assistance with assembly contact:
Southern Enterprises Inc.
Customer Service 1-800-633-5096
service@seidal.com
www.seidal.com

PO:



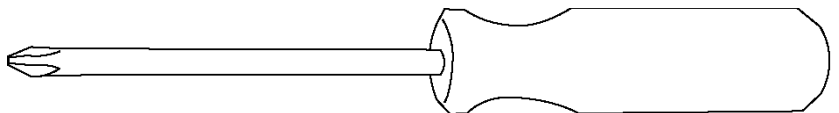
CK877300TX - BLACK CK077300TX - SILVER METAL SOFA TABLE Parts List

Please review all parts and hardware before disposing of any packaging.
Call Customer Service if missing hardware.
Carefully study the diagrams below.
You may receive extra hardware with your unit.

| | | | |
|---|---|--|--|
| <p>1 1PC</p>  <p>TOP FRAME</p> | <p>2 2PCS</p>  <p>RIGHT LEG</p> | <p>3 2PCS</p>  <p>LEFT LEG</p> | <p>4 1PC</p>  <p>SHELF FRAME</p> |
| <p>5 1PC</p>  <p>TOP GLASS</p> | <p>6 1PC</p>  <p>GLASS SHELF</p> | <p>A 12PCS</p>  <p>Screw 1/4"x13mm</p> | <p>B 12PCS</p>  <p>Lock Washer 1/4"</p> |
| <p>C 12PCS</p>  <p>Glass pad</p> | <p>D 4PCS</p>  <p>Foot pad</p> | <p>E 1PC</p>  <p>Wrench</p> | |
| <p>Care and Cleaning Instructions: Before using, wipe with a clean, dry cloth. Avoid rubbing or scratching the surface with rough or abrasive objects.</p> | | <p>For replacement parts or questions, please call Customer Service at 1-800-633-5096. Please call manufacturer for assistance, questions or parts.</p> | |

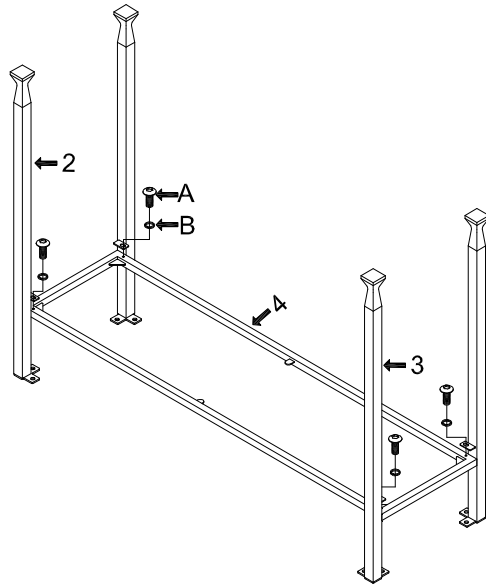
Assembly Tool Required

No.2 Phillips Screwdriver



CK877300TX - BLACK CK077300TX - SILVER METAL SOFA TABLE Assembly Instructions

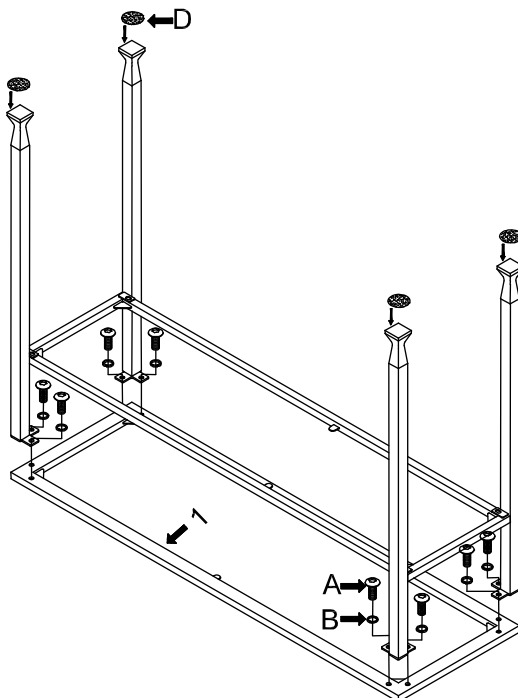
Figure 1



Step 1:

Using screw (A) & (B) attach shelf frame (4), right leg (2) and left leg (3) as shown.

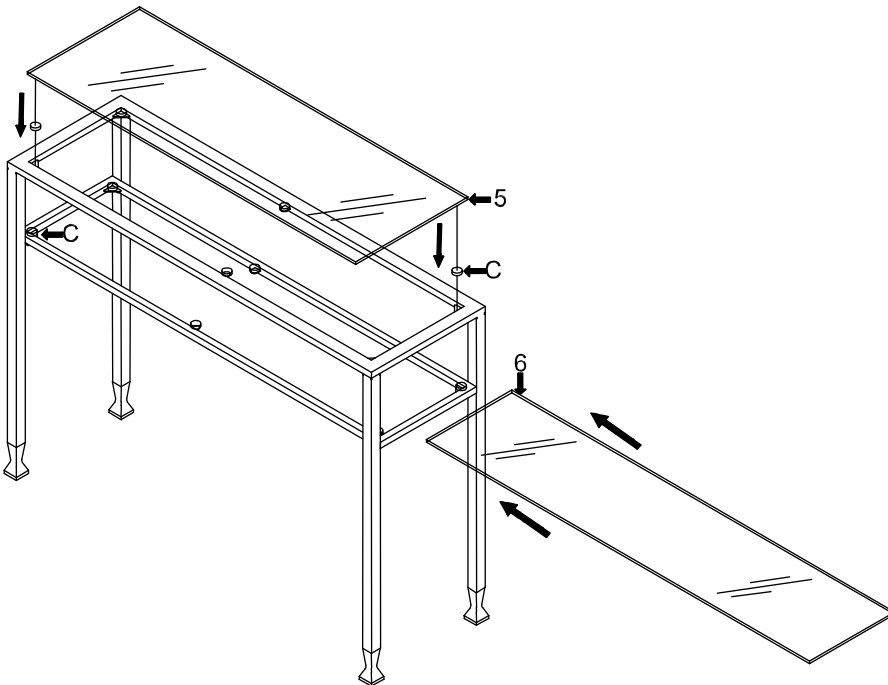
Figure 2



Step 2:

Using screw (A) & (B) attach top frame (1) and the legs as shown, Stick foot pad (D) onto the bottom of legs.

Figure 3



Step 3:

Turn the unit upright, put the glass pads (C) on the frame.

Place top glass (5) and insert glass shelf (6) as shown.



Southern
ENTERPRISES

Customer Service 1-800-633-5096
service@seidal.com
Southern Enterprises, Inc.
600 Freeport Parkway Suite 200
Coppell, Texas 75019

Parts Replacement Form

Customer Information

Name _____

Address _____

City/State/Zip Code _____

Phone Number _____

Please indicate where you purchased this item: Store/Website/Catalog

Please indicate color/size/style number:

| Style No | Parts Letter | Parts Description | Quantity Needed |
|----------|--------------|-------------------|-----------------|
| _____ | _____ | _____ | _____ |
| _____ | _____ | _____ | _____ |
| _____ | _____ | _____ | _____ |

Please immediately examine this product carefully. Any request for missing parts or damage replacement must be received within 90 days of your receipt of the product. Replacement, if available, will be honored within this time frame. Parts will not be available for items arriving fully assembled. We do not recommend modifying product(s) and we are not responsible for any damages due to product modification(s). If damages or missing parts are not reported within 90 days of your receipt, we are under no obligation to provide parts or replacement merchandise.

Please contact Southern Enterprises at 800-633-5096 or in Dallas 972-869-0111/ 9am – 4pm Mon-Fri Central time if you have product issues or email us at service@seidal.com. Please ask for customer service representative for issues involving damages or replacement parts. Please ask for technical assistance representative for any issues with product and assembly/construction.

Please contact the retailer that you purchased from for returns.



Southern
ENTERPRISES

Customer Service 1-800-633-5096
service@seidal.com
Southern Enterprises, Inc.
600 Freeport Parkway, Suite 200
Coppell, Texas 75019