

BT7824A0TX

BT7824B0TX

**Lansbrook Vanity Sink
Assembly Instructions**



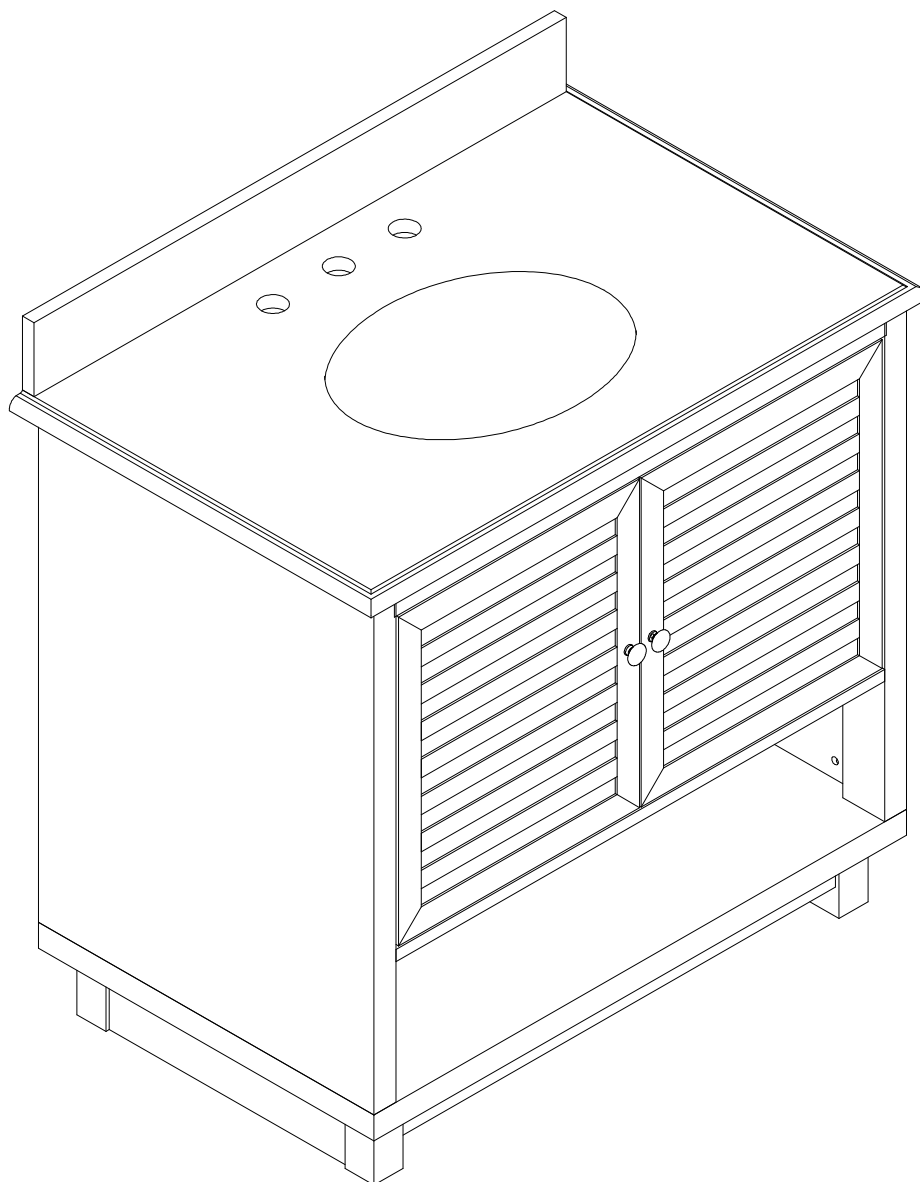
**Southern
ENTERPRISES**

For assistance with assembly, contact:
Southern Enterprises Inc.

Customer Service 1-800-633-5096

service@seidal.com

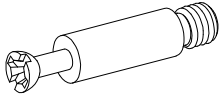
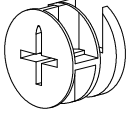
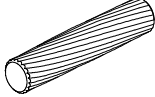
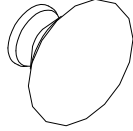

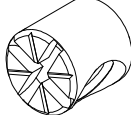
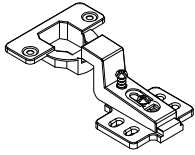
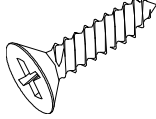

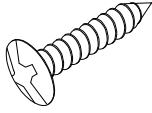
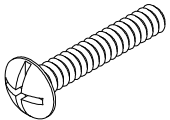
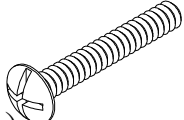
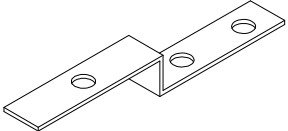
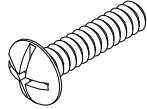
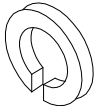
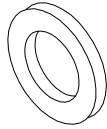
www.seifurniture.com

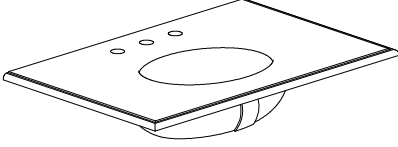
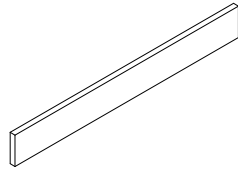
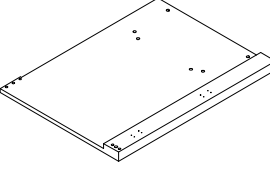
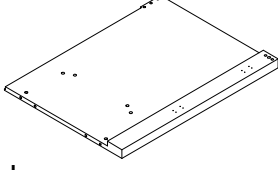
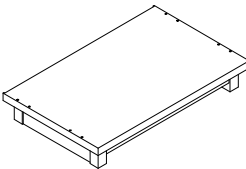
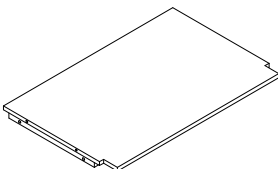
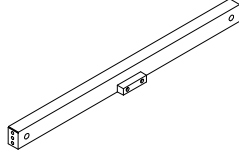
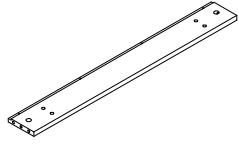
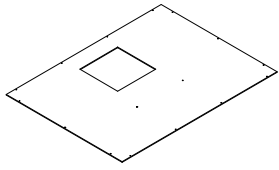
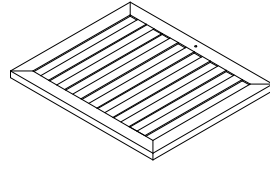
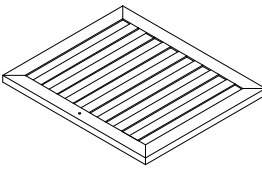
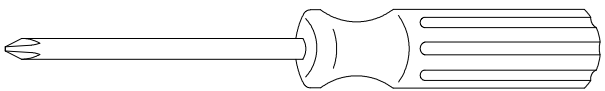


Lansbrook Vanity Sink

Parts List

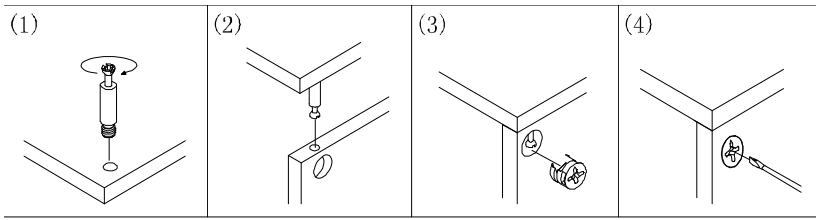
Please check packaging for all parts and hardware before discarding. Unpack and lay parts on clean, padded surface like carpet or a blanket. Check that you have all parts indicated. Call customer service if any hardware is missing. Before beginning assembly, carefully study the diagrams below and sort your hardware according to the pictures. Using the incorrect hardware will cause damage.

A  Cam Bolt Quantity of 4	B  Cam Lock Quantity of 4
C  Wood Dowel (Ø8*30) Quantity of 16	D  Knob Quantity of 2
E  Bolt (Ø5/32"*7/8") Quantity of 2	F  Barrel Nut Quantity of 4
G  Hinge Quantity of 4	H  Screw (Ø3.5*14mm) Quantity of 24
I  PVC Cover Quantity of 4	J  Screw (Ø3*16mm) Quantity of 16
K  Bolt (Ø1/4"*1-1/4") Quantity of 4	L  Bolt (Ø1/4"*2-3/4"L) Quantity of 4
M  Metal Plate Quantity of 2	N  Bolt (Ø1/4"*1/2"L) Quantity of 6
O  Spring Washer Quantity of 6	P  Flat Washer Quantity of 6

<p>1</p>  <p>Top Panel</p>	<p>Quantity of 1</p> <p>2</p>  <p>Back Splash</p> <p>Quantity of 1</p>
<p>3</p>  <p>Left Side Panel</p>	<p>Quantity of 1</p> <p>4</p>  <p>Right Side Panel</p> <p>Quantity of 1</p>
<p>5</p>  <p>Bottom Panel</p>	<p>Quantity of 1</p> <p>6</p>  <p>Shelf Panel</p> <p>Quantity of 1</p>
<p>7</p>  <p>Front Upper Bar</p>	<p>Quantity of 1</p> <p>8</p>  <p>Back Upper Bar</p> <p>Quantity of 1</p>
<p>9</p>  <p>Back Panel</p>	<p>Quantity of 1</p> <p>10</p>  <p>Left Door Panel</p> <p>Quantity of 1</p>
<p>11</p>  <p>Right Door Panel</p>	<p>Quantity of 1</p>
<p>Care and Cleaning Instructions: Before using, wipe with a clean, dry cloth. Avoid rubbing or scratching the surface with rough or abrasive objects.</p>	<p>Call SEI customer service at 1-800-633-5096 for assistance, questions, or parts.</p>
<p>Assembly Tool Required: No.2 Phillips Screwdriver (Not Included)</p>	

Lansbrook Vanity Sink

Assembly Instructions



Do not overtighten cam bolts. Stop when they feel secure.

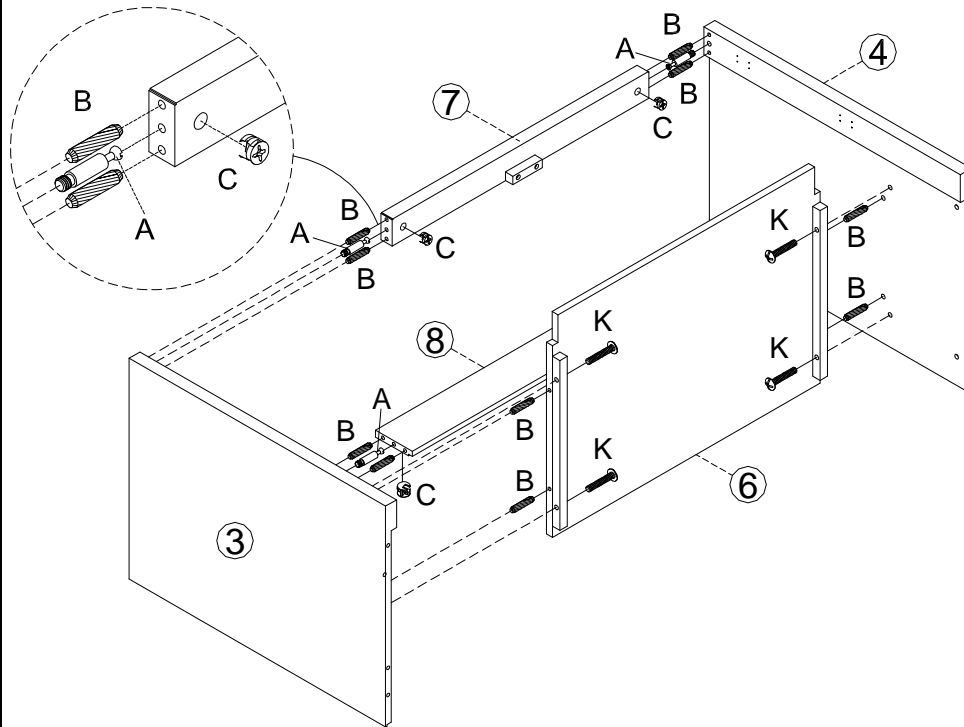


Figure 1

Align cam bolts by hand before using screwdriver.

Insert Cam Locks (C) into corresponding holes on Front Upper Bar (7) and Back Upper Bar (8).

Insert Cam Bolts (A) and Wood Dowels (B) into corresponding holes on Left Side Panel (3) and Right Side Panel (4).

Attach Left Side Panel (3) and Right Side Panel (4) to Bottom Panel (6), Front Upper Bar (7), and Back Upper Bar (8) by inserting Wood Dowels (B), Cam Bolts (A), and Bolts (K) into corresponding holes until all panels meet.

Tighten by rotating Cam Locks (C) and Bolts (K) clockwise with Phillips screwdriver (not included).

Note: Make sure that all finished edges are facing towards the front of the unit.

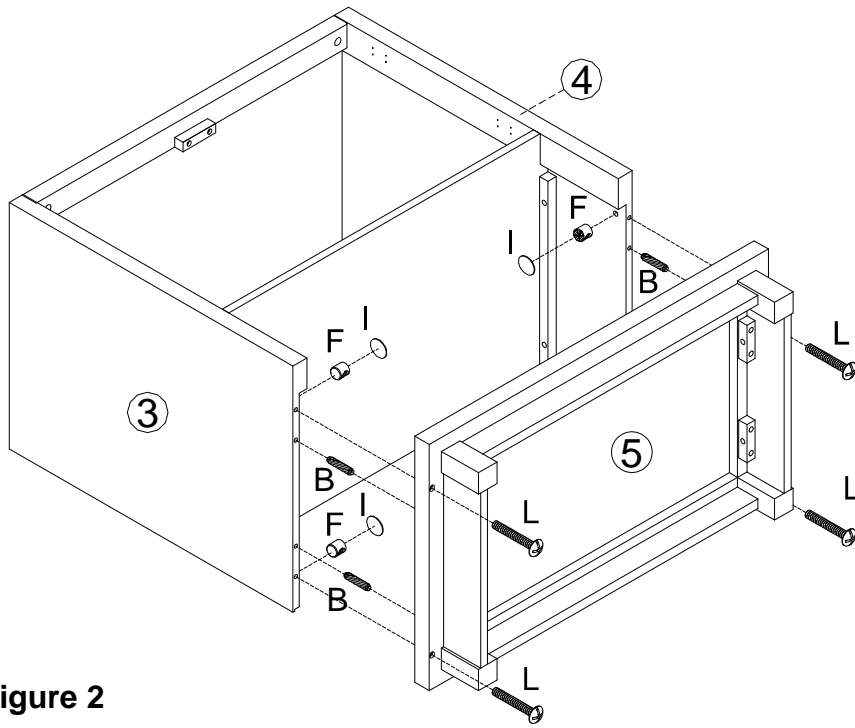


Figure 2

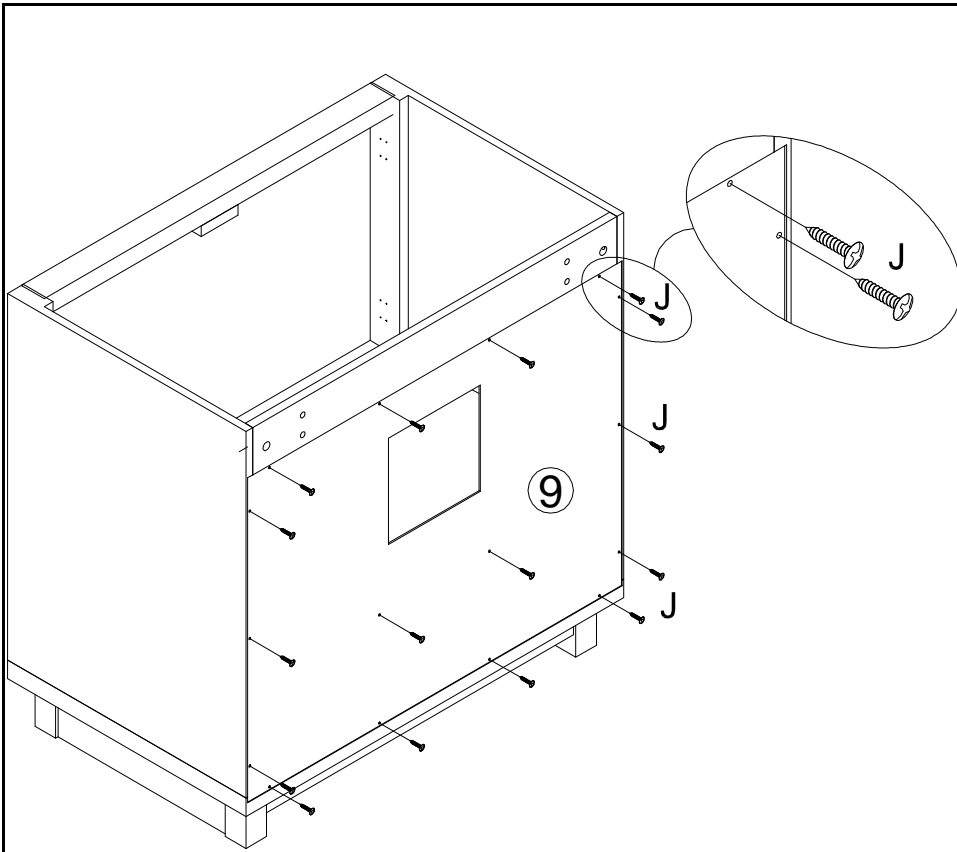
Insert Barrel Nuts (**F**) and Wood Dowels (**B**) into the pre-drilled holes on the assembled unit.

Align and connect the assembled unit with the Bottom Panel (**5**).

Use Bolts (**L**) to secure the panels in place.

Tighten Bolts (**L**) with Phillips screwdriver (not included).

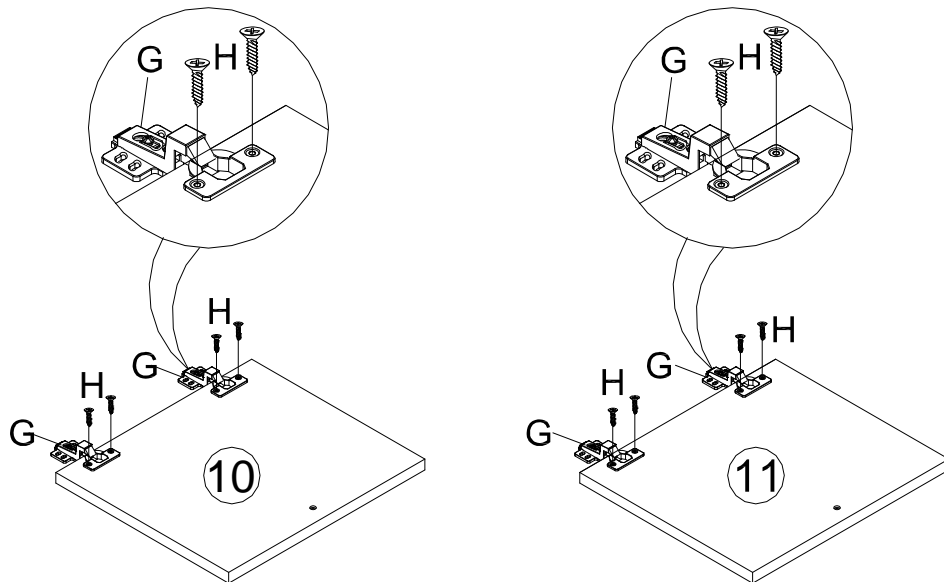
Cover Barrel Nut with PVC Covers (**I**).



Attach Back Panel **(9)** to backside of the unit with Screws **(J)**.

Tighten Screws **(J)** with Phillips screwdriver (not included).

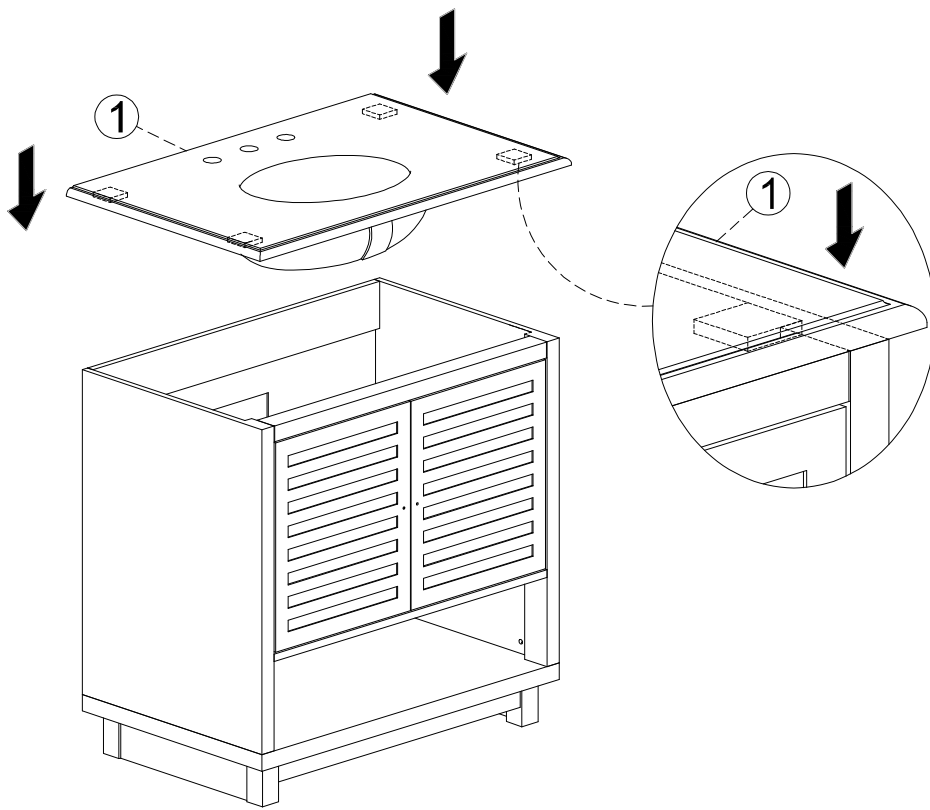
Figure 3



Attach Hinges **(G)** to Doors **(10/11)** using Screws **(H)**.

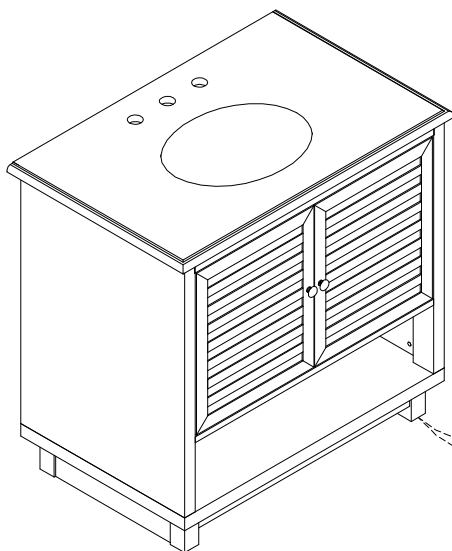
Tighten Screws **(H)** with Phillips screwdriver (not included).

Figure 4



Attach the Top Panel (1) to the assembled unit.

Figure 7



If the Lansbrook Vanity Sink is not level, please adjust the adjustable foot pad by hand as shown.

Adjustable Foot Pad

Note: If the table is not level, you can modify the height by turning the attached levelers by hand.

Figure 8

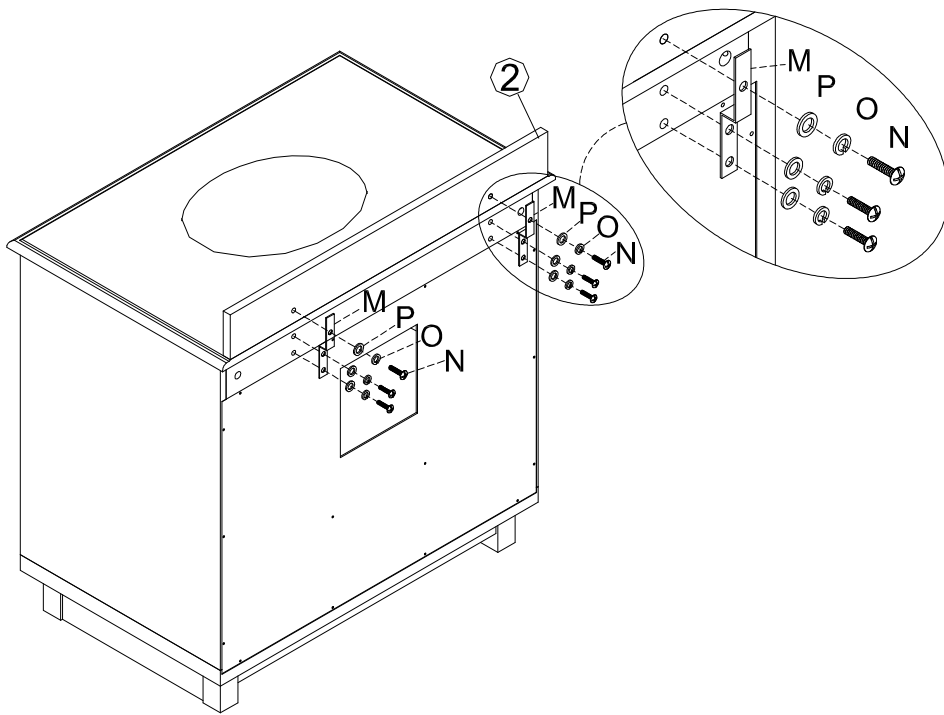


Figure 9

Attach Back Splash (2) to Top Panel (1).

Insert Bolts (N) through Washers (O/P) and Metal Plates (M) into back of the assembled unit.

Tighten Bolts (N) with Phillips screwdriver (not included).

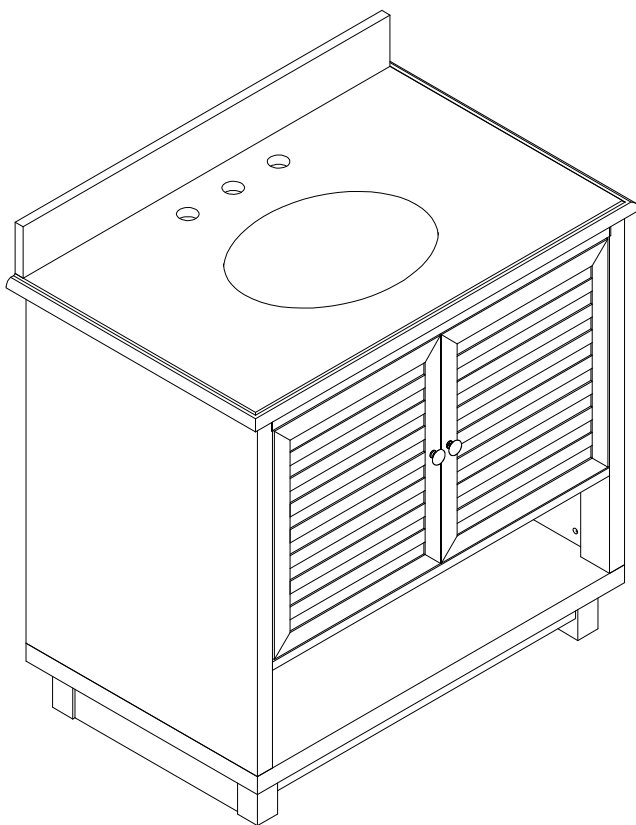


Figure 9

Now your Lansbrook Vanity Sink is ready for use.

Note: Install not included piping items: faucet, drain, and supply lines to vanity sink according to the instructions supplied with those items.

Installation of faucet, drain, and supply lines by a certified plumber is recommended.

Parts Replacement Form

Customer Information

Name _____

Address _____

City/State/Zip Code _____

Phone Number _____

Please indicate where you purchased this item: Store/Website/Catalog

Please indicate color/size/style number:

Style No	Parts Letter	Parts Description	Quantity Needed
_____	_____	_____	_____
_____	_____	_____	_____
_____	_____	_____	_____

Please immediately examine this product carefully. Any request for missing parts or damage replacement must be received within 90 days of your receipt of the product. Replacement, if available, will be honored within this time frame. Parts will not be available for items arriving fully assembled. We do not recommend modifying product(s) and we are not responsible for any damages due to product modification(s). If damages or missing parts are not reported within 90 days of your receipt, we are under no obligation to provide parts or replacement merchandise. Please contact Southern Enterprises at 800-633-5096 or in Dallas 972-869-0111/ 9am – 4pm Mon-Fri Central time if you have product issues or email us at service@seidal.com. Please ask for customer service representative for issues involving damages or replacement parts. Please ask for technical assistance representative for any issues with product and assembly/construction.

Please contact the retailer that you purchased from for returns.



Southern
ENTERPRISES

Customer Service 1-800-633-5096

service@seidal.com

Southern Enterprises, Inc.

600 Freeport Parkway, Suite 200

Coppell, Texas 75019