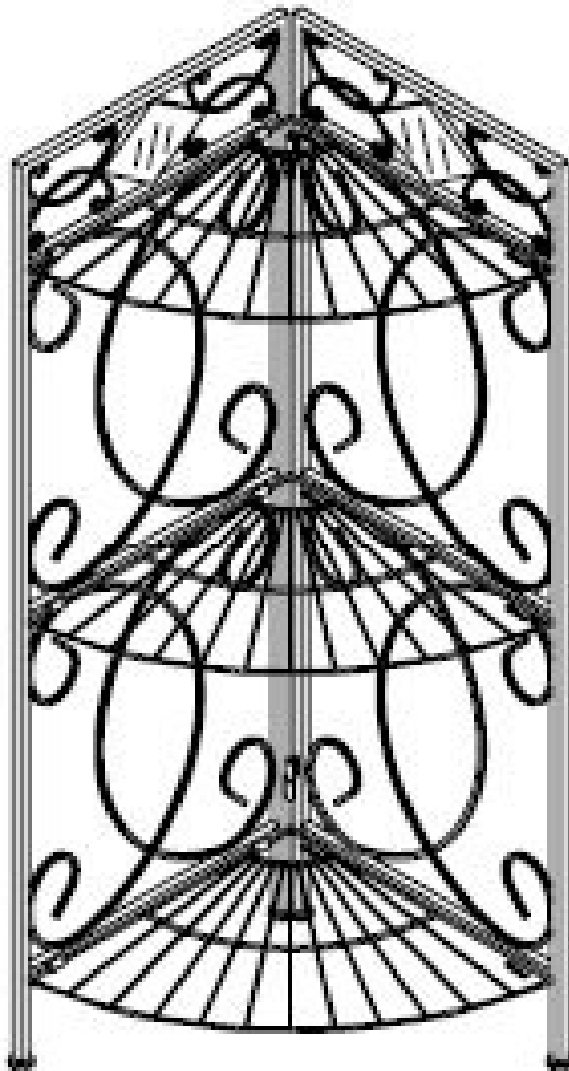


BT352400TX

Reflections Corner Rack
Assembly Instructions



For assistance with assembly contact:
Southern Enterprises Inc.
Customer Service 1-800-633-5096
service@seidal.com
www.seidal.com

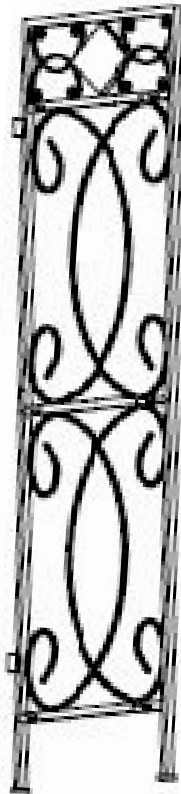


BT352400TX Reflections Corner Rack Parts List

Please review all parts and hardware before disposing of any packaging.
Call Customer Service if missing hardware. Do not return to store/retailer.
Screws shown actual size. Using a screw that is too long will cause damage.
Before beginning assembly, separate each type of screw. Carefully study
the screw diagrams below (SHOWN ACTUAL SIZE).

A

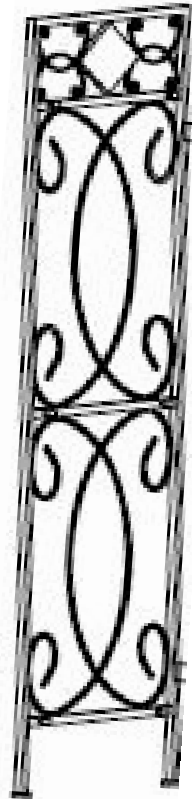
1PC



Right Panel

B

1PC



Left Panel

C

3PCS



Shelf

Care and Cleaning Instructions:

Before using, wipe with a clean, dry cloth.
Periodically apply furniture wax to renew
The finish. Avoid rubbing or scratching the
surf with rough or abrasive objects.

For replacement parts or questions, please
call Customer Service at 1-800-633-5096.
Do not return product to store. Please call
manufacturer for assistance, questions or
parts.

BT352400TX Reflections Corner Rack Assembly Instruction

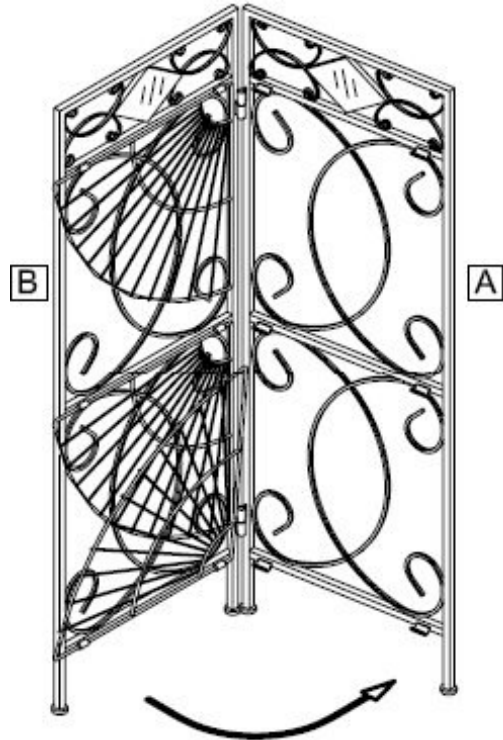


Figure 1

Step 1. Open right side panel (B) and left side panel (A) as shown.

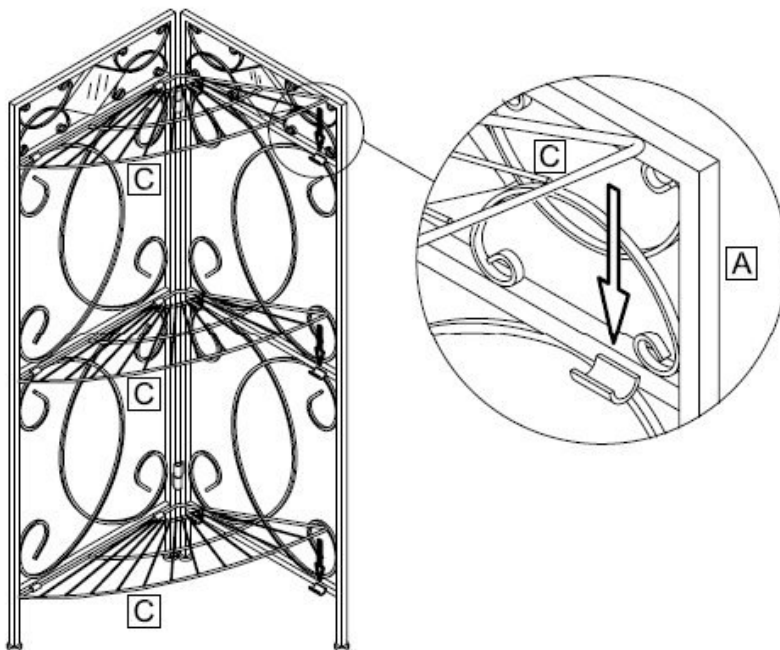


Figure 2

Step 2 : Put down shelf (C) as figure 2 shown.



Customer Service 1-800-633-5096
service@seidal.com
Southern Enterprises, Inc.
2915 Merrell Road
Dallas, Texas 75229

We'd love to hear from you! Email us photos of our products in your home at sei@seidal.com and we might feature it on our site or use it to model one of our inspirational photos.

“ PARTS WILL BE SENT IF AVAILABLE FORM SEI “

Parts Replacement Form

Customer Information

Name _____

Address _____

City/State/Zip Code _____

Phone Number _____

Please indicate where you purchased this item: Store/ Website/ Catalog

Please indicate color/size/style number:

Style No	Parts Letter	Parts Description	Quantity Needed

Missing or damaged hardware and/ or parts will be replaced free of charge. We do not sell parts. Southern Enterprises Inc. will provide replacement parts for only those items purchased within the last 9 months. If this product has not been purchased from our retail affiliates (within 9 months), we are under no obligation to provide parts or replacements merchandise. Parts will not be available for items arriving fully assembled.



Customer Service 1-800-633-5096

service@seidal.com

Southern Enterprises, Inc.

2915 Merrell Road

Dallas, Texas 75229