

BE198200TX

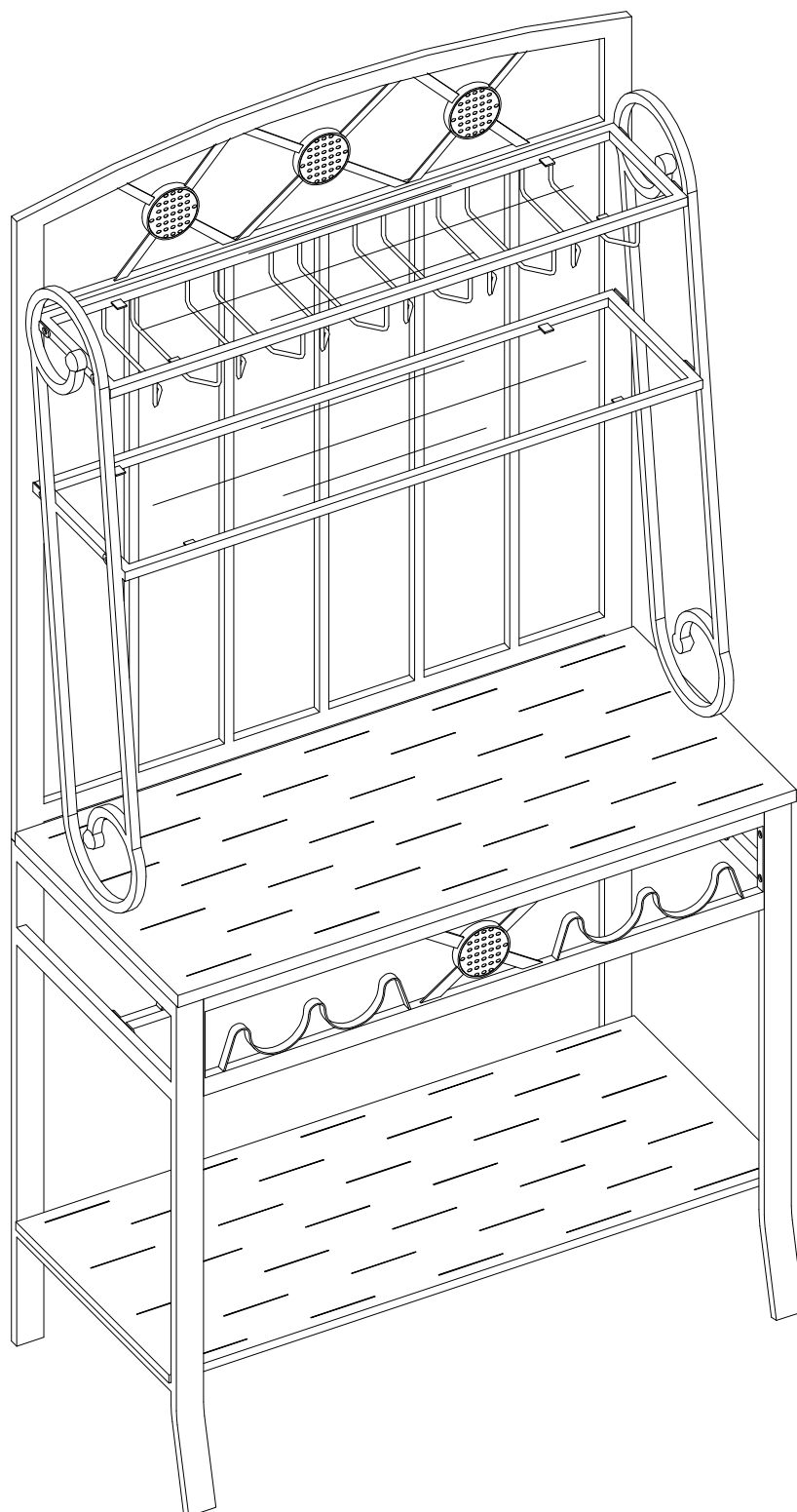
DECORATIVE BAKERS RACK

W/WINE STORAGE

Assembly Instructions



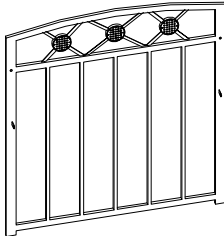
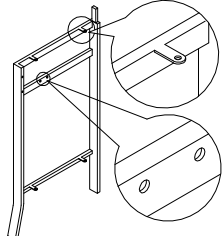
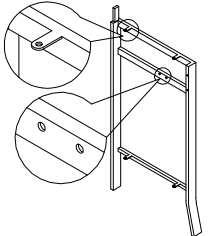
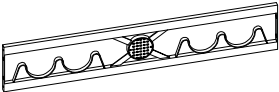

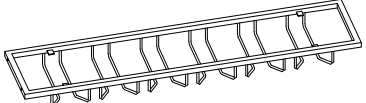
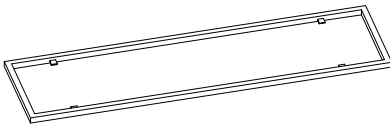
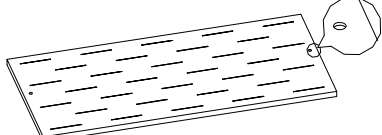
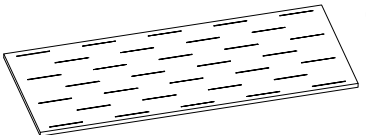
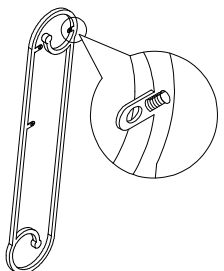
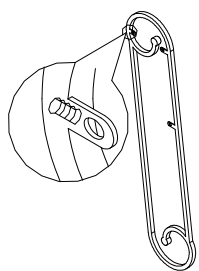
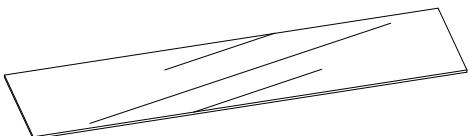
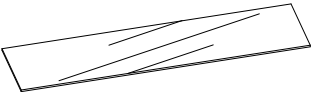
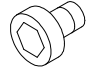
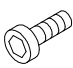
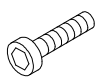
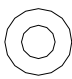
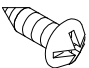
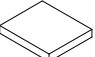

For assistance with assembly contact:
Southern Enterprises Inc.
Customer Service 1-800-633-5096
service@seidal.com
www.seidal.com



DECORATIVE BAKERS RACK W/WINE STORAGE

Parts List

Please review all parts and hardware before disposing of any packaging. Call Customer Service if missing hardware. Do not return to store/retailer. Using a screw that is too long will cause damage. Before beginning assembly, separate each type of screw. Carefully study the screw diagrams below . You may receive extra hardware with your unit.

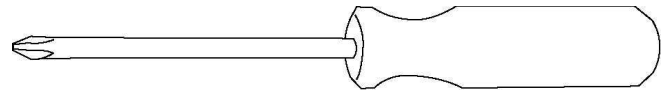
<p>A . Back Panel</p>  <p>Quantity of 1</p>	<p>B. Left Side Panel</p>  <p>Quantity of 1</p>	<p>C. Right Side Panel</p>  <p>Quantity of 1</p>
<p>D. Rail</p>  <p>Quantity of 1</p>	<p>E. wine holder</p>  <p>Quantity of 1</p>	<p>F. Cup holder</p>  <p>Quantity of 1</p>
<p>G. Metal frame</p>  <p>Quantity of 1</p>	<p>H. Wood top panel</p>  <p>Quantity of 1</p>	<p>J. Bottom Wood Panel</p>  <p>Quantity of 1</p>
<p>K. Top Left side panel</p>  <p>Quantity of 1</p>	<p>L. Top Right side panel</p>  <p>Quantity of 1</p>	<p>M . Large Glass</p>  <p>Quantity of 1</p> <p>30-8/5"×7.52"</p>
<p>N. Small Glass</p>  <p>Quantity of 1</p> <p>30-8/5"×5.59"</p>		<p>1. Short Bolt</p>  <p>Quantity of 20</p> <p>1/4"*3/8"L</p>
<p>2 . Medium Bolt</p>  <p>Quantity of 2</p> <p>1/4"*3/4"L</p>	<p>3. Long Bolt</p>  <p>Quantity of 2</p> <p>1/4"*1-1/8"L</p>	<p>4.Flat washer</p>  <p>Quantity of 2</p> <p>Φ1/4"</p>
<p>5.Wood screw</p>  <p>Quantity of 8</p>	<p>6.Sponge</p>  <p>Quantity of 8</p>	<p>7.Allen Wrench</p>  <p>Quantity of 1</p>

Care and Cleaning Instructions:

Before using, wipe with a clean, dry cloth.
Periodically apply furniture wax to renew the finish . Avoid rubbing or scratching the

For replacement parts or questions, please
Call Customer Service at 1-800-633-5096
Do not return product to store, please call
Manufacturer for assistance, questions or Parts.

Assembly Tool Required
No.2 Phillips Screwdriver (Not Included)



DECORATIVE BAKERS RACK W/WINE STORAGE

Assembly Instructions

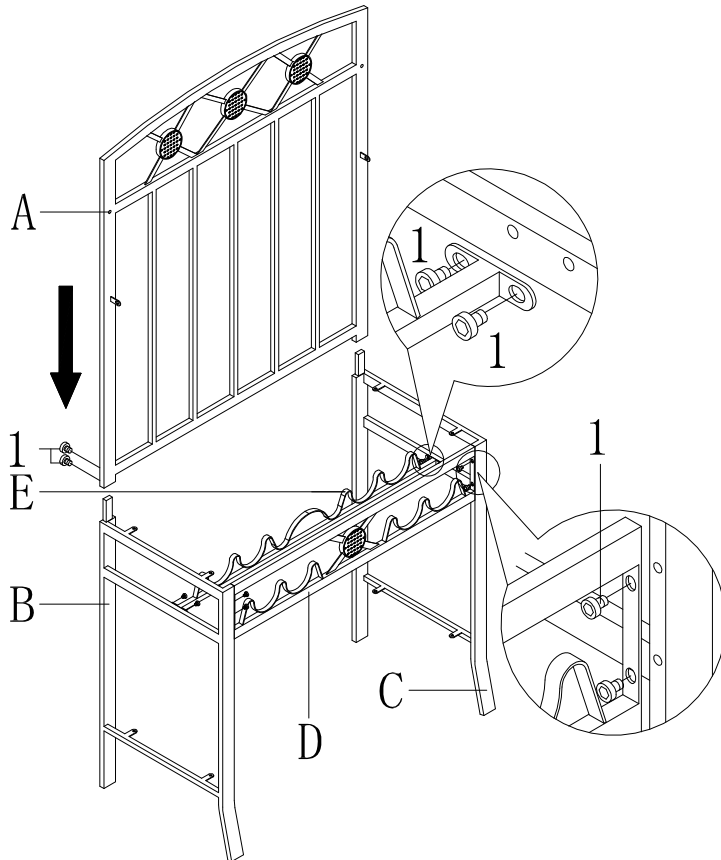


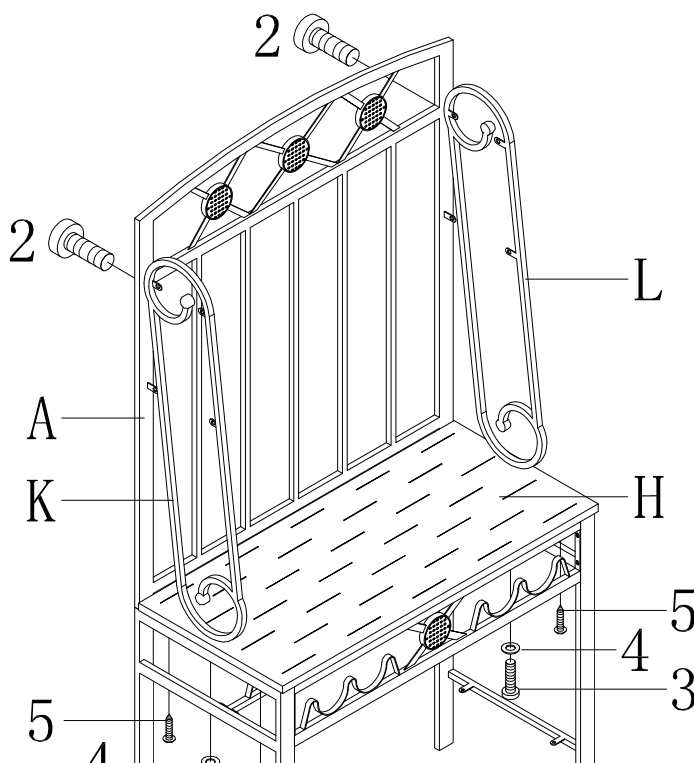
Figure 1

Assembly Instructions: Unpack and lay parts on clean, padded surface like carpet or blanket. Check that you have all parts indicated on the front page.

Please insert 4pcs short Bolts (1) through holes on Rail (D) to attach both side Panel (B,C) by Wrench (7).

Please insert 4pcs short Bolts (1) through holes on wine holder (E) to attach both side Panel (B,C) by Wrench (7).

Insert Back panel(A) into both side panels(B,C) and then Insert 4pcs Short bolt (1) through holes on back panel(A) to attach both side panels(B,C) by Wrench (7).



Put Wood Top Panel (H) onto the Left Side Panel (B) & Right Side Panel (C) by hands .

Please insert 2pcs Medium Bolts (2) through holes on back panel (A) to attach both Top side Panel (K,L) by Wrench (7).

Please insert 2pcs Long Bolts (3) through holes on Flat washer (4) and wood top panel(H) to attach both Top side Panel (K,L) by Wrench (7).

Please insert 4pcs wood screw (5) through holes on Iron of both side panel(B,C) to attach wood top panel(H) by Tool No.2 Phillips Screwdriver(Not

Included).

Figure 2

DECORATIVE BAKERS RACK W/WINE STORAGE

Assembly Instructions

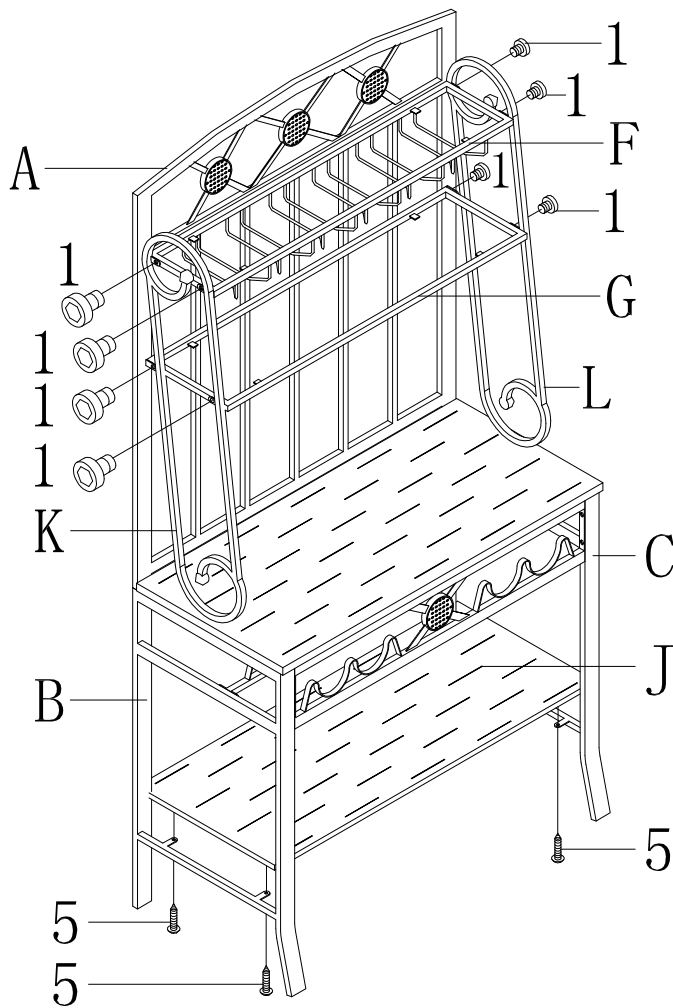
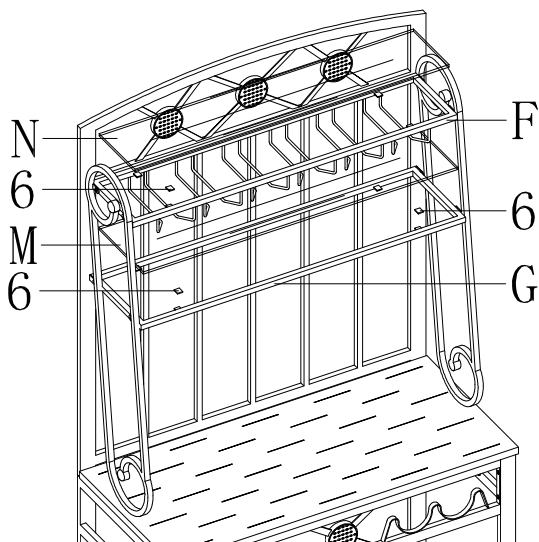


Figure 3

Please insert 4pcs wood screw (5) through holes on Iron of both side panel(B,C) to attach bottom wood panel(J) by Tool No.2 Phillips Screwdriver(Not Included)..

Please insert 8pcs short Bolt (1) through holes on iron of both Top Side Panels (K,L) and back Panel (A) to attach Cup holder(F) & Metal frame(G) by Wrench (7).



Please put 8pcs Sponges(6) onto iron of Cup holder(F) & Metal frame(G) by hands

Then put Small Glass(N) into cup holder(F) and put Large Glass(M) into Metal frame(G) by hands.

Now your baker's rack is ready to use

Figure 4



Customer Service 1-800-633-5096
service@seidal.com
Southern Enterprises Inc.
600 Freeport Parkway,
Suite 200 Coppell, Texas, 75019

BE198200TX - Parts Replacement Form

Customer Information

Name

Address

City/State/Zip Code

Phone Number

Please indicate where you purchased this item: Store/Website/Catalog

Please indicate color/size/style number:

Style No	Parts Letter	Parts Description	Quantity Needed
----------	--------------	-------------------	-----------------

Missing or damaged hardware and/or parts will be replaced free of charge. We do not sell parts. Southern Enterprises Inc. will provide replacement parts for only those items purchased within the last 9 months. If

this product has not been purchased from our retail affiliates (within 9 months), we are under no obligation to provide parts or replacement merchandise. Parts will not be available for items arriving fully assembled. Parts will be sent if available from SEI

Please contact Southern Enterprises at 800-633-5096 or in Dallas (972) 869-0111/ 9am – 4pm Mon-Fri Central time if you have product issues with your purchase. Please ask for a customer service representative for issues involving damages or replacement parts. Please ask for a technical assistance representative for any issues with product assembly and product construction.

Please contact the retailer that you purchased from for returns.

We'd love to hear from you! Email us photos of our products in your home at sei@seidal.com and we might feature it on our site or use it to model one of our inspirational photos.