

**BE086800TX**

JCP LOT# 794-4822

MAHOGANY DBL-DOOR CURIO

**Assembly Instruction**



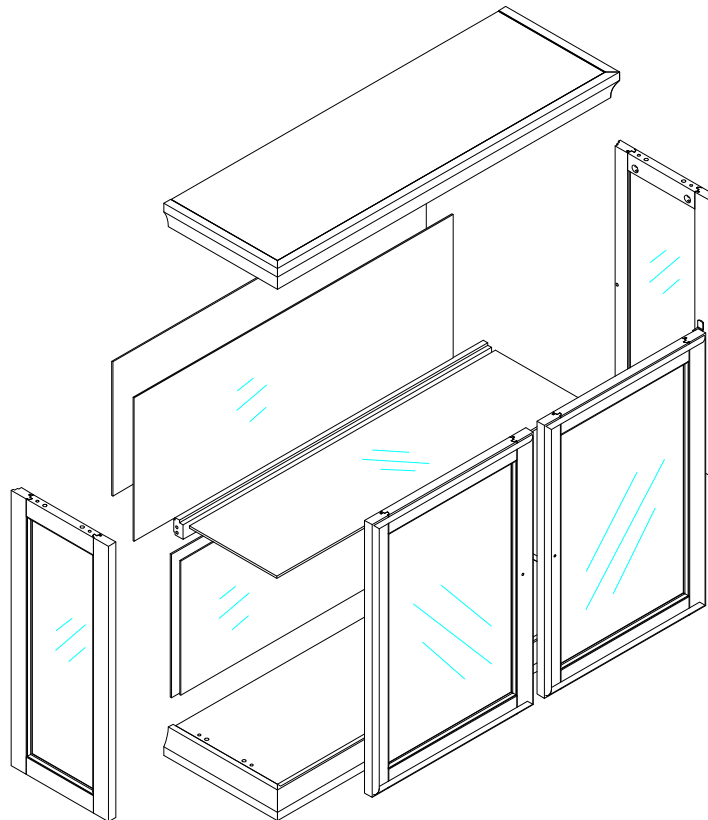
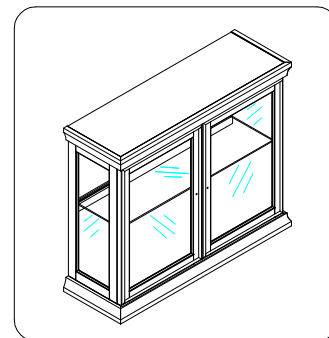
For assistance with assembly contact:

Southern Enterprises Inc.

Customer Service 1-800-633-5096

[service@seidal.com](mailto:service@seidal.com)

[www.seidal.com](http://www.seidal.com)

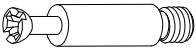


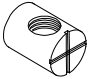

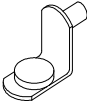



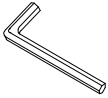
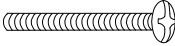
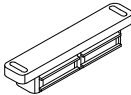
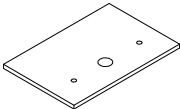
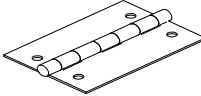


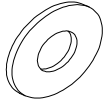


# BE086800TX

## MAHOGANY DBL-DOOR CURIO

### HARDWARE LIST

Please review all parts and hardware before disposing of any packaging.  
Call Customer Service if missing hardware. Do not return to store/retailer.  
Using a screw that is too long will cause damage. Before beginning assembly,  
separate each type of screw. Carefully study the screw diagrams below. You may  
receive extra hardware with your unit.

<b>A</b>  CAM BOLT X 6PCS	<b>B</b>  WOOD DOWEL X 10PCS	<b>C</b>  CAM LOCK X 6PCS
<b>D</b>  CAM NUT X 4PCS	<b>E</b>  HEXAGONAL BOLT X 4PCS	<b>F</b>  METAL SHELF BRACKET X 2PCS
<b>G</b>  FLAT HEAD LONG SCREW X18 PCS	<b>H</b>  ROUND HEAD SCREW X 29PCS	<b>I</b>  THE SLICE OF IRON X 5PCS
<b>J</b>  HANDLE X 1PC	<b>K</b>  LONG BOLT X2PCS	<b>L</b>  MAGNETC CATCH X 1PC
<b>M</b>  MAGNET X2PCS	<b>N:</b>  HINGE X 4PCS	<b>O</b>  KNOB X 2PCS
<b>P</b>  SP WASHER X 4PCS	<b>Q</b>  EVEN WASHER X 4PCS	

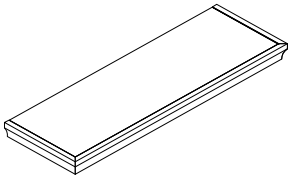
# BE086800TX

## MAHOGANY DBL-DOOR CURIO

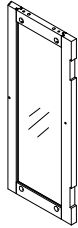
### Parts List

Please review all parts and hardware before disposing of any packaging.  
Call Customer Service if missing hardware. Do not return to store/retailer.  
Using a screw that is too long will cause damage. Before beginning assembly,  
separate each type of screw. Carefully study the screw diagrams below.  
You may receive extra hardware with your unit.

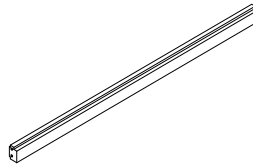
(1)  
TOP FRAME X 1PC



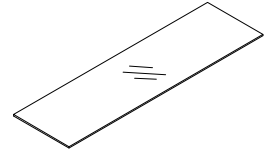
(2)  
SIDE FRAME X 2PCS



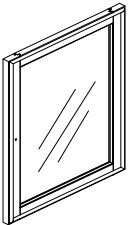
(3)  
BACK POST X 1PC



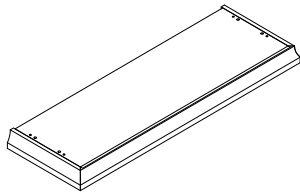
(4)  
MIDDLE GLASS X 1PC



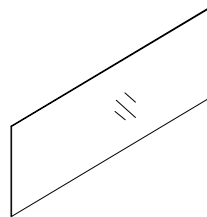
(5)  
DOOR FRAME X 2PC



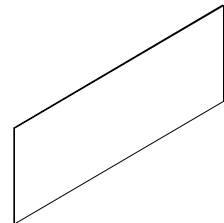
(6)  
BOTTOM FRAME X 1PC



(7)  
BACK MIRROR X 2PC



(8)  
BACK PANEL X 2PC

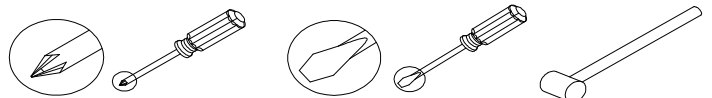


Care and Cleaning Instructions:  
Before using, wipe with a clean, dry cloth.  
**Periodically apply furniture wax to renew the finish on wood part.** Avoid rubbing or scratching the surface with rough or abrasive objects.

For replacement parts or questions, please call Customer Service at 1-800-633-5096.  
Do not return product to store. Please call manufacturer for assistance, questions or parts.

### Assembly Tool Required

1" + Screw driver    " - Screw driver    Rubber Mallet



# BE086800TX

## MAHOGANY DBL-DOOR CURIO

### HIDDEN CONNECTOR ASSEMBLY TECHNIQUES FOR LOCK NUT & LOCK PIN

1 SET INCLUDES: (C) CAM-LOCK 1PC. (A) CAM BOLT 1PC.

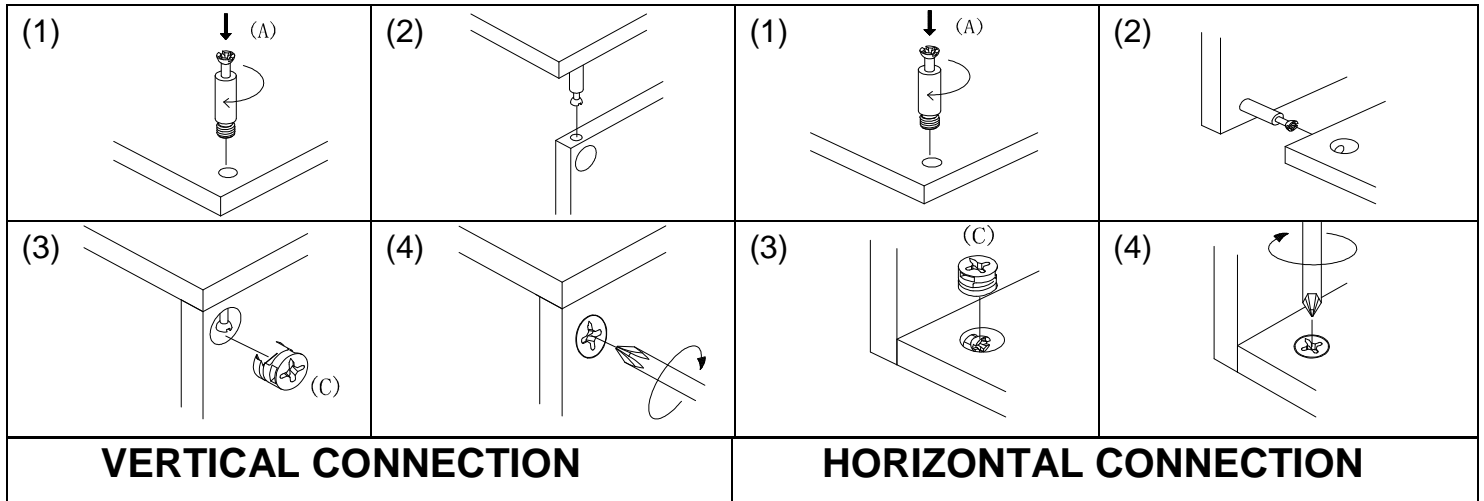
TOOL NEEDED: "+"SCREW DRIVER

STEP 1: SCREW CAM BOLT(A) ONTO PRE-SET PLASTIC NUT ON PANEL.USE A "+" SCREW-DRIVER FOR TIGHTENING. ATTENTION: DO NOT OVERTIGHTEN THE CAM BOLT(A)

STEP 2:ATTACH BOTH PANELS, MAKE SURE YOU HAVE INSERTED THE CAM BOLT TO THE VERY DEPTH OF THE HOLE WITH RUBBER Mallet GENTLY. CAUTION: DO NOT USE HAMMER. THEN INSERT CAM-LOCK(C) INTO PRE-DRILLED HOLE ON PANEL. MAKE SURE THE ARROW ON CAM-LOCK(C) SET IN PANEL POINT TOWARD THE HOLE INTO WHICH THE CAM BOLT(A) HAS BEEN INSERTED AND INSERTED THE CAM-LOCK(C) TO THE VERY DEPTH OF THE HOLE.

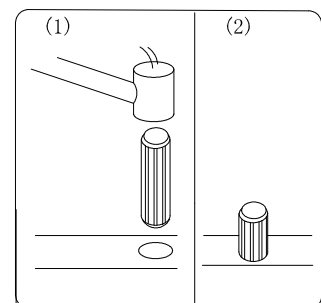
STEP 3:ROTATE THE CAM-LOCK(C) CLOCK WISE TO SECURE CAM-BOLT(A) TIGHTEN BY A "+" SCREWDRIVER

DETAIL STEP PLEASE SEE THE BELOW PICTURE.



### WOODEN DOWEL INSTALLATION PROCEDURE

(1)GENTLY TAP DOWEL INTO HOLE WITH RUBBER Mallet OR USE HAND PRESS IN.  
DO NOT USE HAMMER



# BE086800TX

## MAHOGANY DBL-DOOR CURIO

### Assembly Instructions

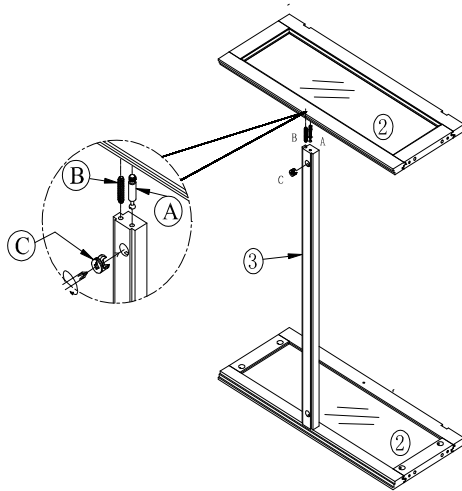


FIGURE 1

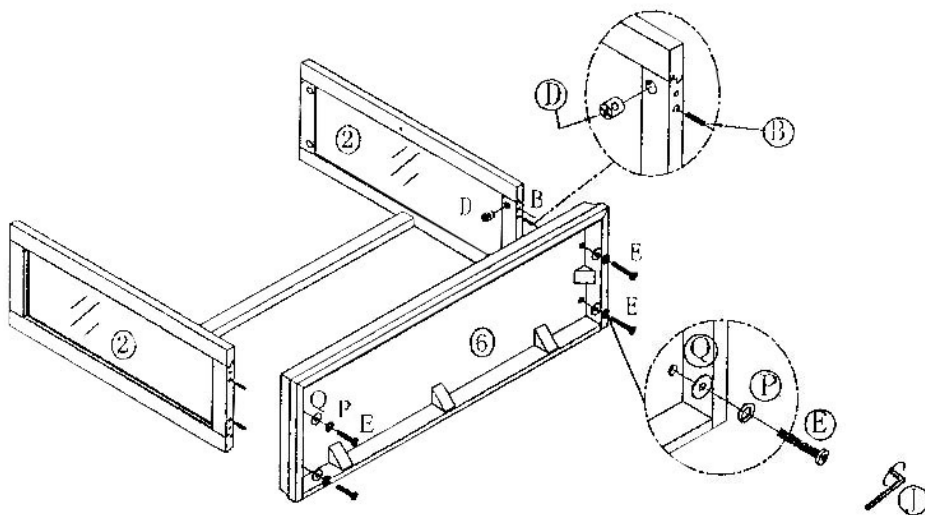


FIGURE 2

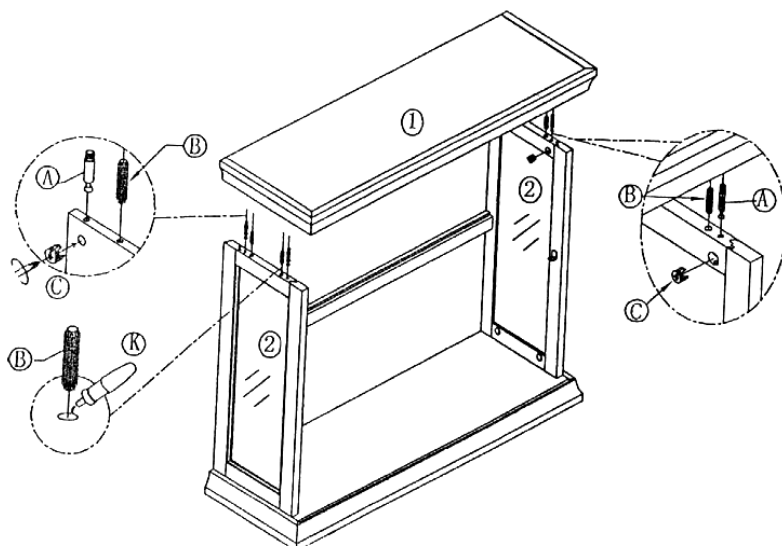
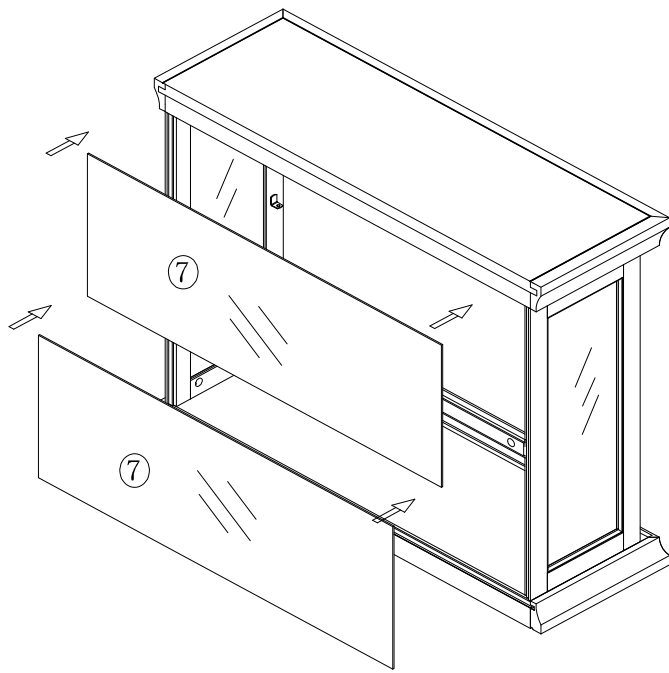


FIGURE 3

**Step 1 :** Affix side frame (2) to Back post (3) with wood dowel(B),cam bolt (A) and cam lock (c). (Please read the "BEFORE ASSEMBLY" part at the beginning of the instructions first and follow it in the FIGURE 1).

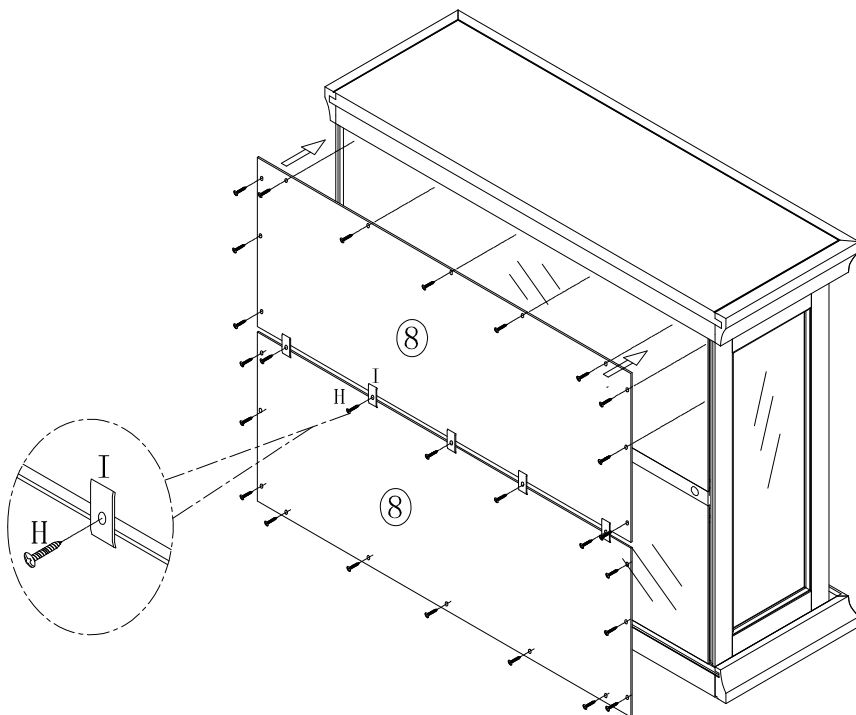
**Step 2:** See FIGURE2 ,Fix Bottom frame (6) to the assembled unit with (B) and(D), as noted in BEFORE ASSEMBLY, then insert (E) into the pre-drilled holes of Bottom frame (6)with (P)and (Q),then tighten it clockwise with (J)

**Step 3:** Fit Top frame (1) and the unit Assembled in FIGURE 2 together with (A), (B) and (C).



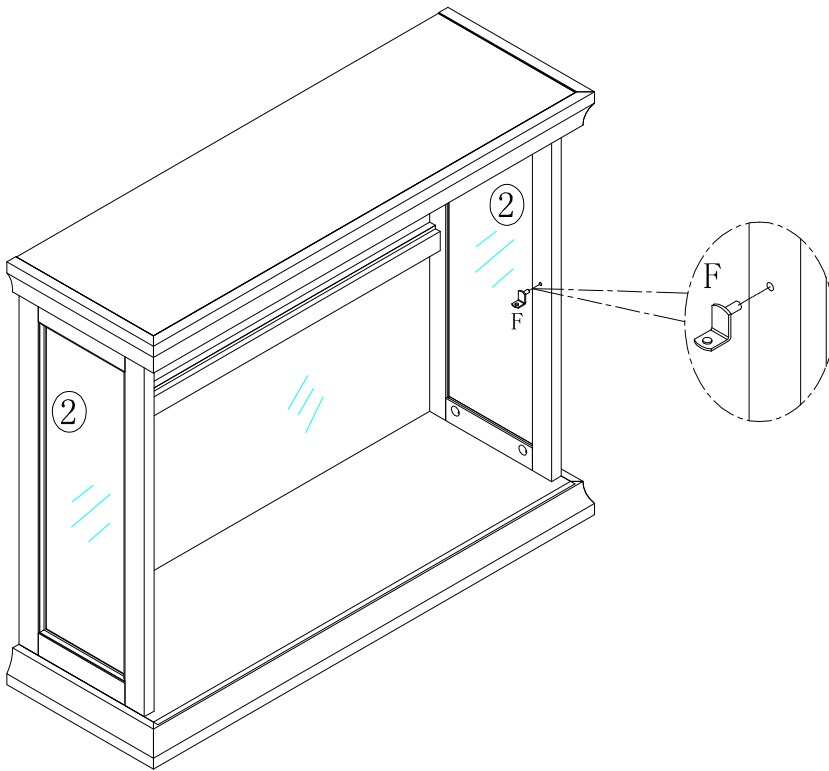
**Step 4 :** Insert Back mirror (7) into the groove of the assembled unit as picture shown.

**Figure 4**



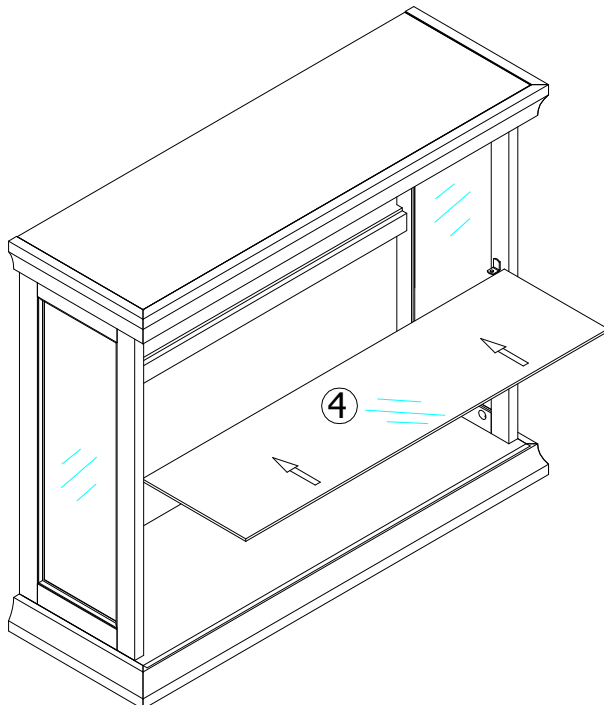
**Step 5 :** Then cover Back mirror(7)with Back panel(8),and fasten Back panel (8)with (H) and (I), as shown in the picture.

**Figure 5**



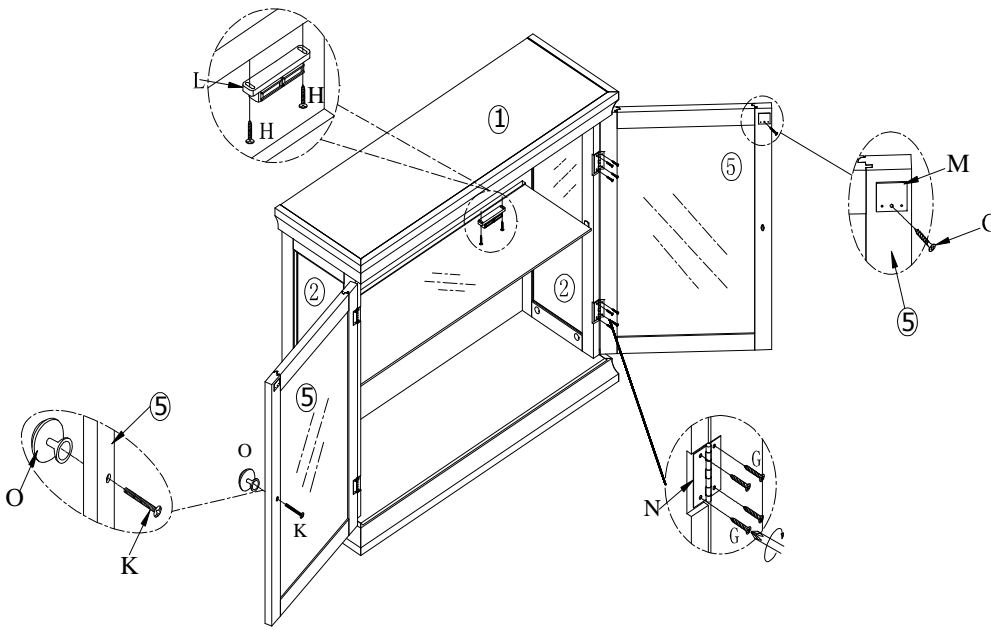
**Step 6:** Insert (F) into the predrilled holes of Side frame (2) as pictured.

**Figure 6**



**Step 7:** Install MIDDLE GLASS (4) in the arrow direction, make sure the METAL SHELF BRACKET (F) hold MIDDLE GLASS(4) stably

**Figure 7**



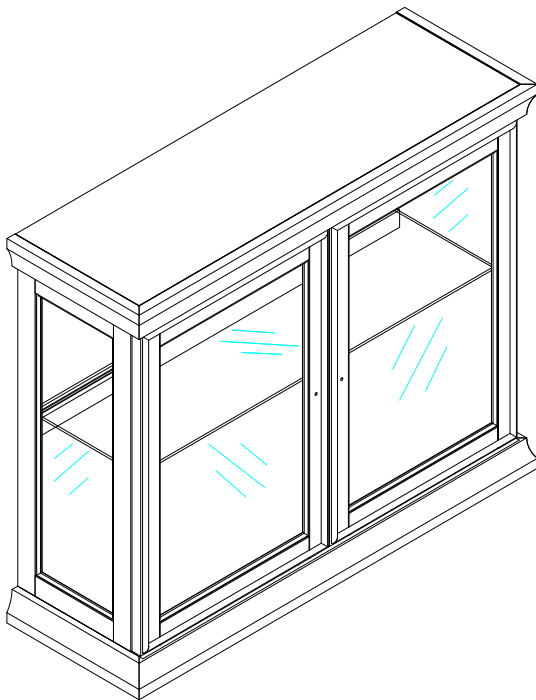
**Figure 8**

**Step 8:** a: Attach Door Frames (5) to the unit you have assembled. Fix hinges (N) to Door frames (5) WITH FLAT HEAD SCREW (G).

b: Attach knobs (O) to the middle of Door frame using long bolts (K).use “Phillips head” screwdriver for tightening.

c: Use round head screws (H) to fix the Magnetic catch (L) to Top Panel.

d: Attach two magnets (M) onto the top corner of the Door frame (5) using flat head screws (G).



**Figure 9**

Assembled product picture

**Warning:** Max top load 50 lb. Max weight on glass shelf 10 lb.



Customer Service: 1-800-633-5096  
 service@seidal.com  
 Southern Enterprises, Inc.  
 600 Freeport Parkway, Suite 200  
 Coppell, Texas 75019



We'd love to hear from you! Email us photos of our products in your home at [sei@seidal.com](mailto:sei@seidal.com) and we might feature it on our site or use it to model one of our inspirational photos.

**“PARTS WILL BE SENT IF AVAILABLE FROM SEI” “THIS IS NOT A WARRANTY”**

---

## Parts Replacement Form

### Customer Information

Name \_\_\_\_\_

Address \_\_\_\_\_

City/State/Zip Code \_\_\_\_\_

Phone Number \_\_\_\_\_

Please indicate where you purchased this item: Store/ Website/ Catalog

\_\_\_\_\_

Please indicate color/size/style number:

\_\_\_\_\_

Style No

Parts Letter

Parts Description

Quantity Needed

Please count, identify and compare parts and hardware list to be sure all parts are present. It may help to divide parts and label them to correspond with part list. Extra hardware may be included. If any items are missing, **please contact Southern Enterprises at 800-633-5096 or in Dallas (972) 869-0111/ 9am – 4pm Mon-Fri Central time if you have product issues with your purchase. Please ask for a customer service representative for issues involving damages or replacement parts. Please ask for a technical assistance representative for any issues with product assembly and product construction. Please contact the retailer that you purchased from for returns.**

Missing or damaged hardware and/ or parts will be replaced free of charge. **We do not sell parts. We do not recommend modifying product(s) and we are not responsible for any damages due to product modification(s).**

If this product has not been purchased from our retail affiliates (within 9 months), we are under no obligation to provide parts or replacements merchandise. Parts will not be available for items arriving fully assembled.

Customer Service 1-800-633-5096

[service@seidal.com](mailto:service@seidal.com)

Southern Enterprises, Inc.

600 Freeport Parkway, Suite 200

Coppell, Texas 75019

