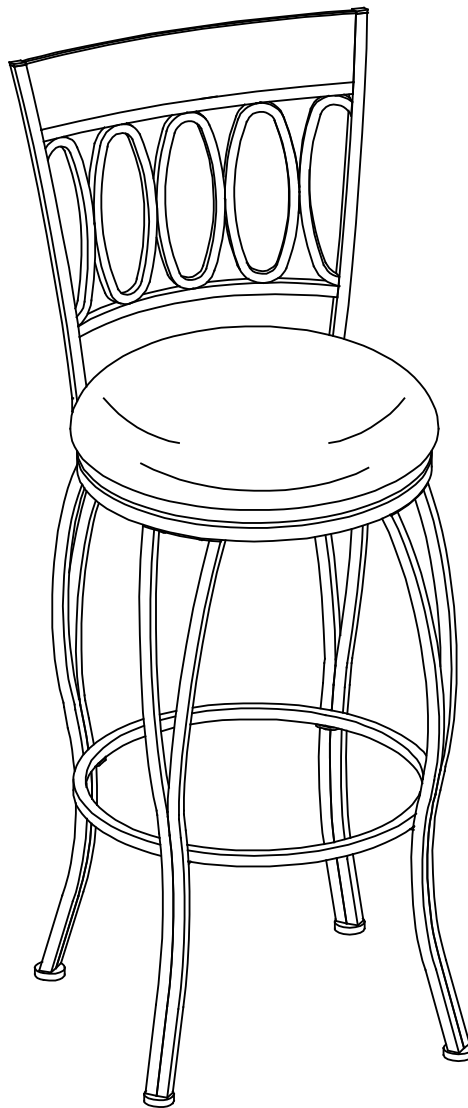


BC112000TX / BC112500TX  
SWIVEL BARSTOOL /  
COUNTERSTOOL - BROOKSHIRE  
Assembly Instructions



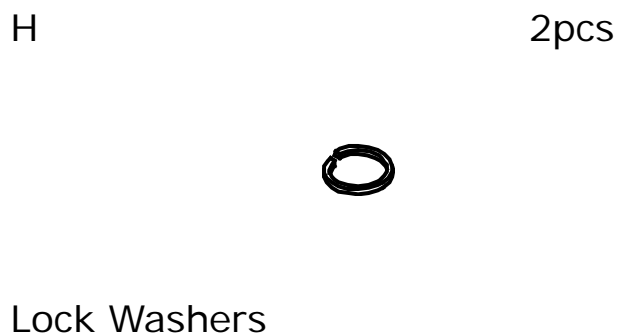
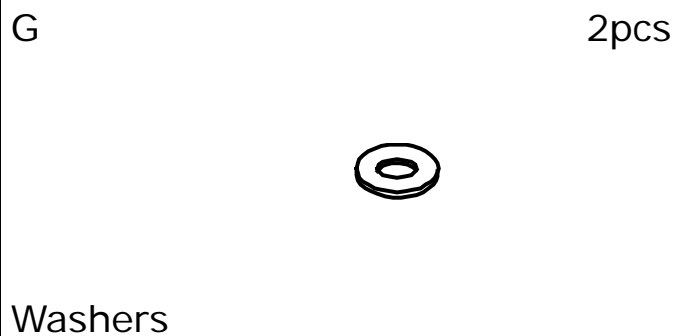
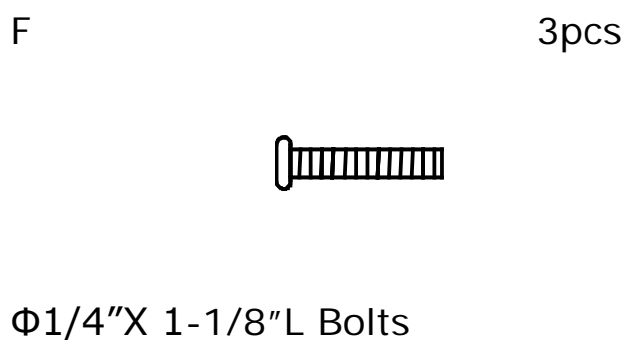
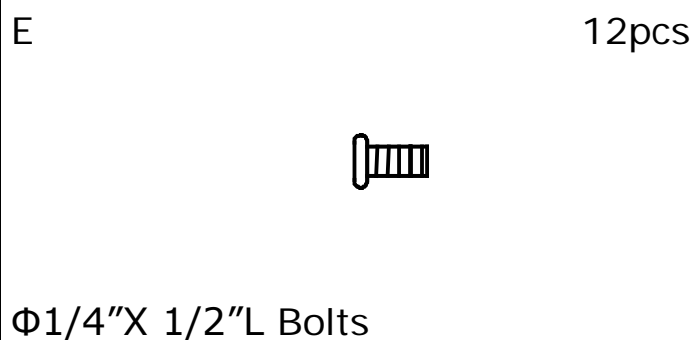
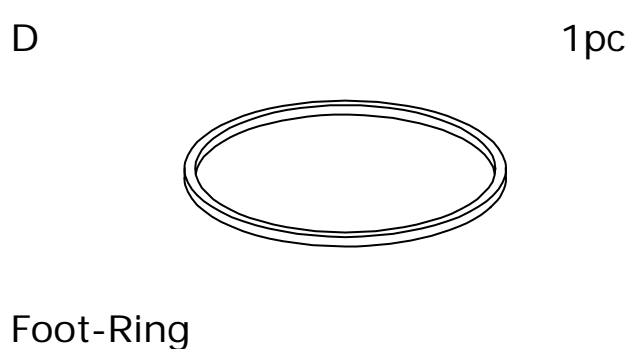
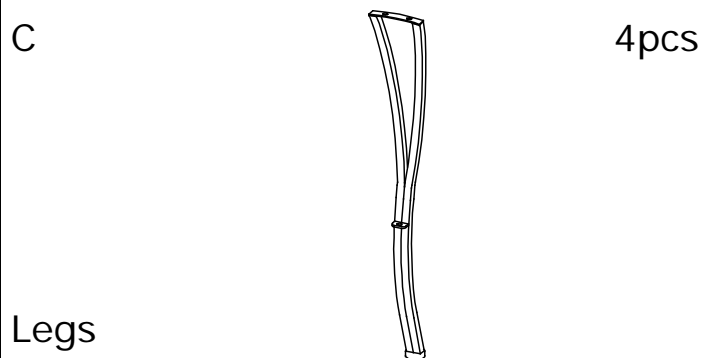
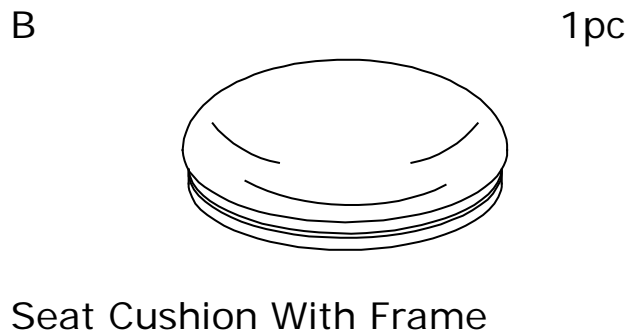
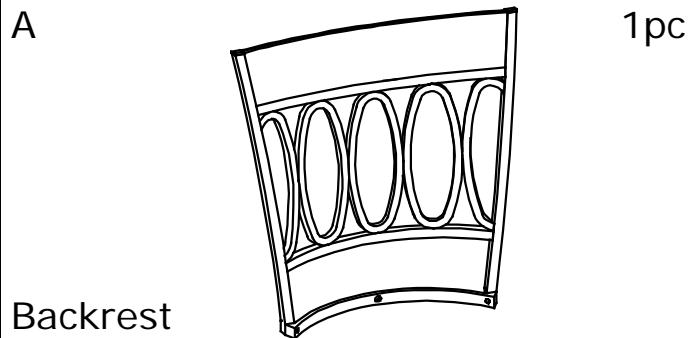
For assistance with assembly contact:  
Southern Enterprises, Inc.  
Customer Service 1-800-633-5096  
service@seidal.com  
www.seidal.com



# SWIVEL BARSTOOL / COUNTERSTOOL - BROOKSHIRE

## Parts List

Please review all parts and hardware before disposing of any packaging. Call Customer Service if missing hardware. Do not return to store/retailer. Using a screw that is too long will cause damage. Before beginning assembly, separate each type of screw. Carefully study the screw diagrams below. You may receive extra hardware with your unit.



I

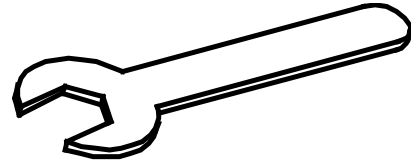
1pc



Nut

J

1pc



Open Wrench

K

1pc



Allen Wrench

**Care and Cleaning Instructions:**

Before using, wipe with a clean, dry cloth.  
Avoid rubbing or scratching the surface with rough or abrasive objects.

For replacement parts or questions, please  
Call Customer Service at 1-800-633-5096  
Do not return product to store, please call  
Manufacturer for assistance, questions or  
Parts.

# SWIVEL BARSTOOL / COUNTERSTOOL - BROOKSHIRE

## Assembly Instructions

Figure 1.1

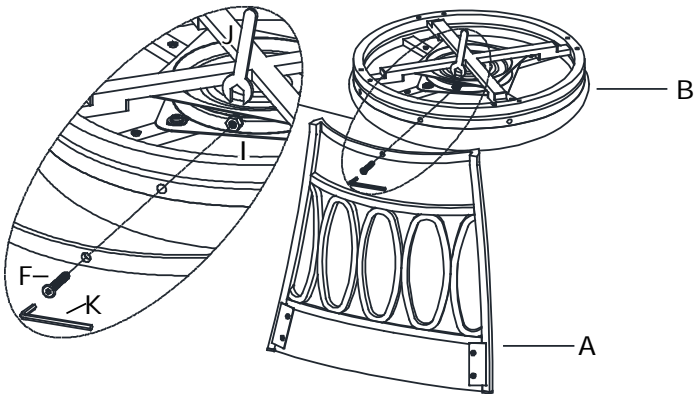
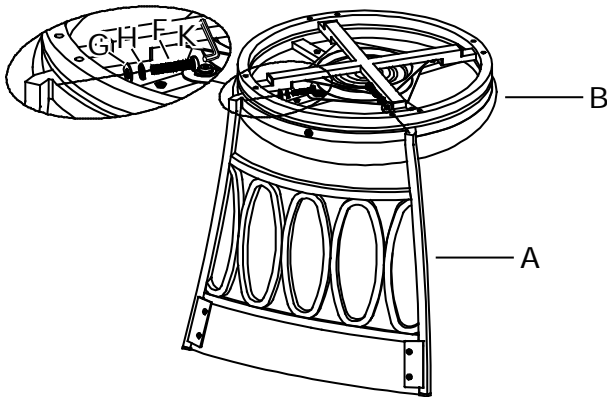
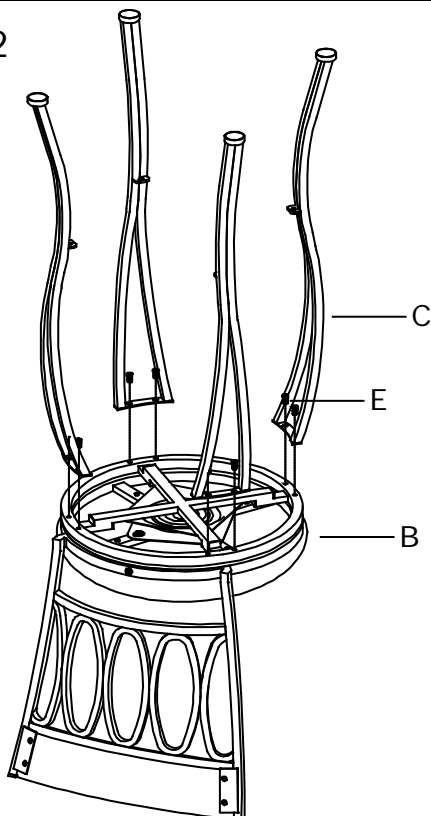


Figure 1.2



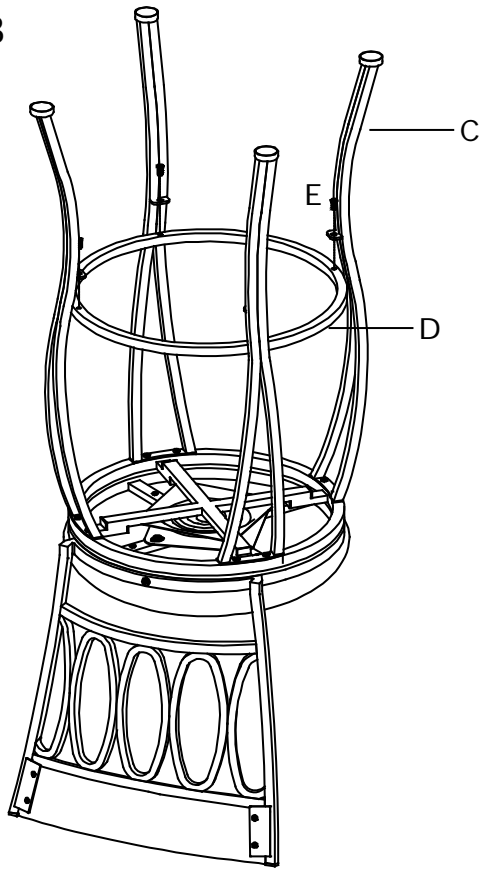
1. Place seat cushion (B) upside down on protected work surface.
2. Place backrest (A) upside down and fasten the backrest (A) to frame of seat cushion (B) using one bolt (F) (going from outside to inside), and one nut (I) for the middle hole, as shown in the enlarged diagram, using the open wrench (J) and Allen wrench (K), only tighten halfway.
3. Then insert two bolts (F) into the right and left holes from the inside, with one lock washer (H) and one washer (G), as shown in the enlarged diagram, using the Allen wrench (K).
4. Now fully tighten all bolts securely.

Figure 2



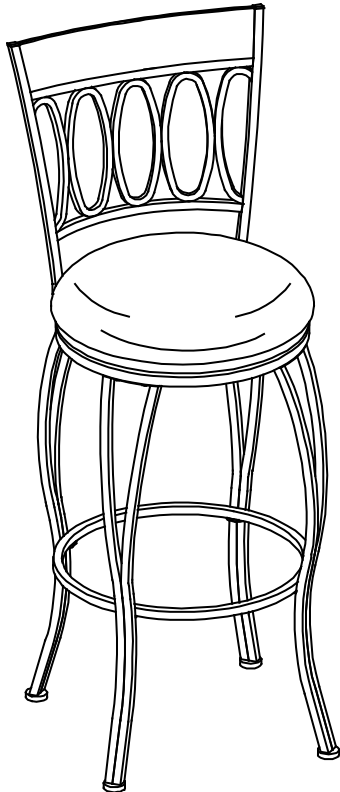
Attach four legs (C) to seat frame (B) using eight bolts (E). Make sure that each leg (C) is positioned exactly as shown, and that you only tighten the bolts halfway, using the Allen wrench (K).

Figure 3



1. Position the foot-ring (D) as shown. Fasten it to the four legs (C) using four bolts (E) with Allen wrench (K) exactly as shown.
2. Tighten all bolts from steps 2 & 3 securely.

Figure 4



Place barstool upright on the floor.

\*\* We recommend that you save the open wrench (J) and Allen wrench (K) and periodically tighten all bolts. Please make sure all bolts are placed in their proper positions and then are tightened securely to ensure your safety.



\*\* ⚠ Warning: to prevent injury, do not insert fingers between the seat and the frame.

\*\* Weight restriction: 250 lbs.

\*\* Intended for indoor use only.

# Parts Replacement Form

## Customer Information

Name \_\_\_\_\_

Address \_\_\_\_\_

City/State/Zip Code \_\_\_\_\_

Phone Number \_\_\_\_\_

Please indicate where you purchased this item: Store/Website/Catalog

\_\_\_\_\_

Please indicate color/size/style number:

Style No	Parts Letter	Parts Description	Quantity Needed
_____	_____	_____	_____
_____	_____	_____	_____
_____	_____	_____	_____

Please immediately examine this product carefully. Any request for missing parts or damage replacement must be received within 90 days of your receipt of the product. Replacement, if available, will be honored within this time frame. Parts will not be available for items arriving fully assembled. We do not recommend modifying product(s) and we are not responsible for any damages due to product modification(s). If damages or missing parts are not reported within 90 days of your receipt, we are under no obligation to provide parts or replacement merchandise. Please contact Southern Enterprises at 800-633-5096 or in Dallas 972-869-0111/ 9am – 4pm Mon-Fri Central time if you have product issues or email us at [service@seidal.com](mailto:service@seidal.com). Please ask for customer service representative for issues involving damages or replacement parts. Please ask for technical assistance representative for any issues with product and assembly/construction.

Please contact the retailer that you purchased from for returns.



Customer Service 1-800-633-5096

[service@seidal.com](mailto:service@seidal.com)

Southern Enterprises, Inc.

600 Freeport Parkway, Suite 200

Coppell, Texas 75019