

BC060100TX

Brock Storage Bench
Assembly Instructions

HOLLY & MARTIN®
FUNCTION • MEETS • STYLE



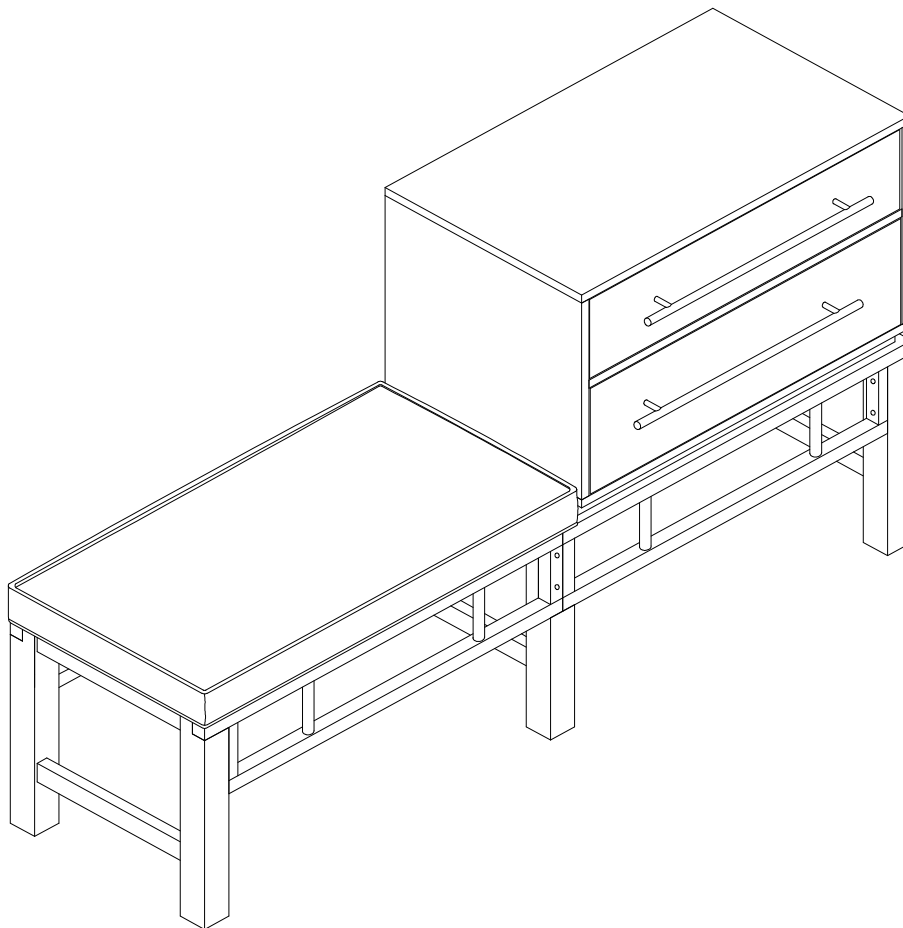
Holly & Martin®, a valued brand of SEI

Customer Service [1-800-633-5096](tel:1-800-633-5096)

service@hollyandmartin.com

www.hollyandmartin.com

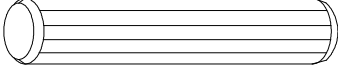
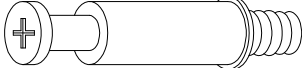
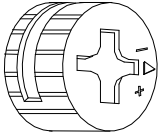
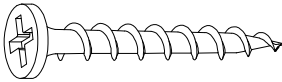
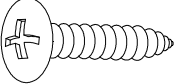
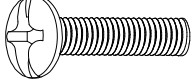
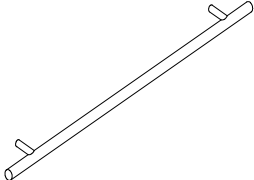
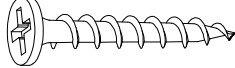
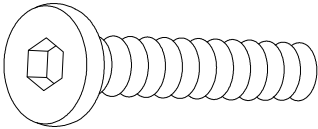
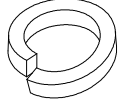
PO:



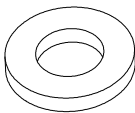
Brock Storage Bench

Parts List

Please check packaging for all parts and hardware before discarding. Unpack and lay parts on clean, padded surface like carpet or a blanket. Check that you have all parts indicated. Call customer service if any hardware is missing. Before beginning assembly, carefully study the diagrams below and sort your hardware according to the pictures. Using the incorrect hardware will cause damage.

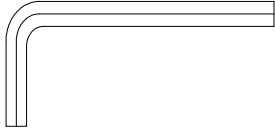
<p>A</p>  <p>Quantity of 22</p> <p>Wood Dowel</p>	<p>B</p>  <p>Quantity of 12</p> <p>Cam Bolt</p>
<p>C</p>  <p>Quantity of 12</p> <p>Cam Lock</p>	<p>D</p>  <p>Quantity of 4</p> <p>Screw $\text{\O}1/8\text{"} \times 1-1/4\text{"}$ L</p>
<p>E</p>  <p>Quantity of 14</p> <p>Screw $\text{\O}1/8\text{"} \times 1/2\text{"}$ L</p>	<p>F</p>  <p>Quantity of 4</p> <p>Small Bolt $\text{\O}5/32\text{"} \times 3/4\text{"}$ L</p>
<p>G</p>  <p>Quantity of 2</p> <p>Handle</p>	<p>H</p>  <p>Quantity of 16</p> <p>Machine Screw $\text{\O}1/8\text{"} \times 7/8\text{"}$ L</p>
<p>I</p>  <p>Quantity of 28</p> <p>Bolt $\text{\O}1/4\text{"} \times 1-1/4\text{"}$ L</p>	<p>J</p>  <p>Quantity of 28</p> <p>Spring Washer</p>

K Quantity of 28



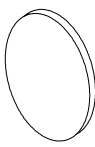
Flat Washer

L Quantity of 1



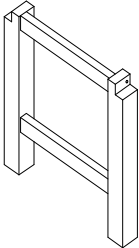
Allen Wrench

M Quantity of 28



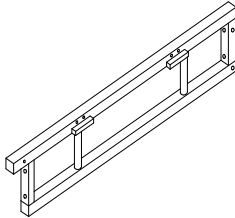
Sticker cover

1. Quantity of 1



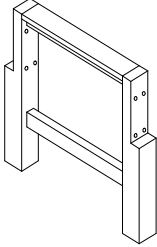
Left Side Frame

2. Quantity of 1



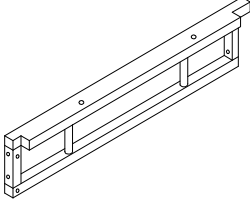
Left Back Frame

3. Quantity of 1



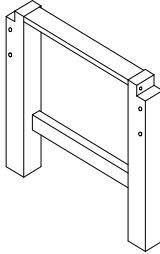
Middle Frame

4. Quantity of 1



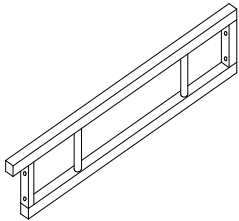
Right Back Frame

5. Quantity of 1



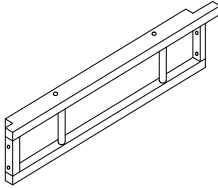
Right Side Frame

6. Quantity of 1



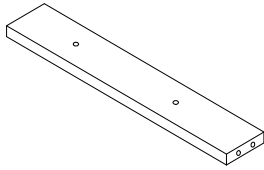
Left Front Frame

7. Quantity of 1



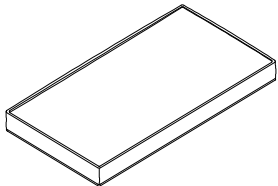
Right Front Frame

8. Quantity of 2



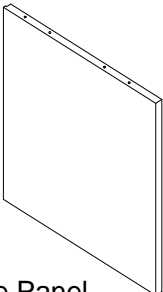
Bar

9. Quantity of 1



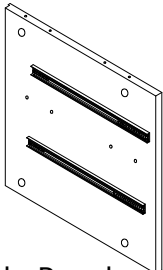
Cushion

10. Quantity of 1



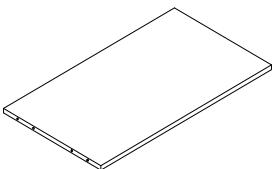
Left Side Panel

11. Quantity of 1

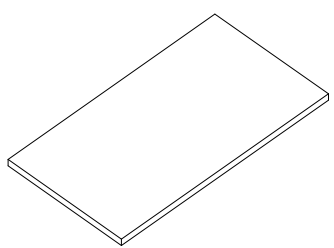
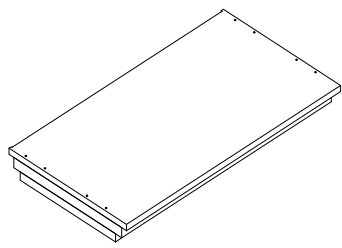
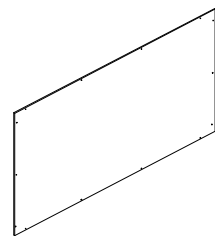
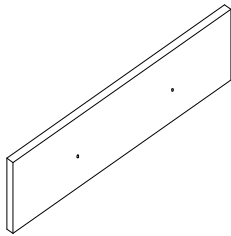
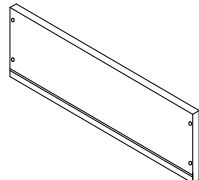
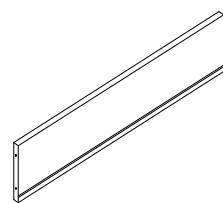
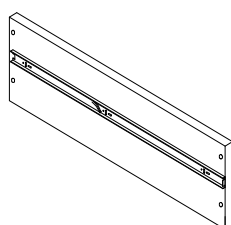
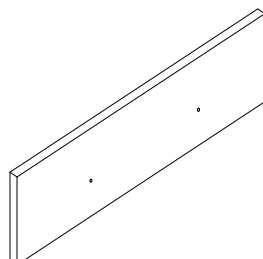
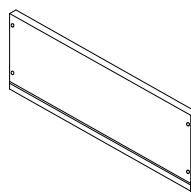
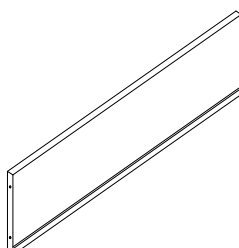
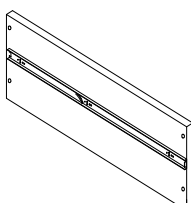
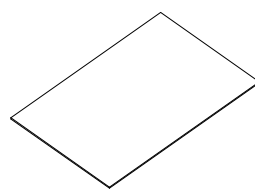


Right Side Panel

12. Quantity of 1



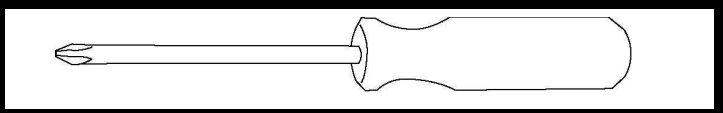
Fixed Shelf

<p>13. Quantity of 1</p>  <p>Top Panel</p>	<p>14. Quantity of 1</p>  <p>Bottom Panel</p>	<p>15. Quantity of 1</p>  <p>Back Panel</p>
<p>16. Quantity of 1</p>  <p>Small Drawer Face</p>	<p>17. Quantity of 1</p>  <p>Drawer Right Wall</p>	<p>18. Quantity of 1</p>  <p>Drawer Back Wall</p>
<p>19. Quantity of 1</p>  <p>Drawer Left Wall</p>	<p>20. Quantity of 1</p>  <p>Large Drawer Face</p>	<p>21. Quantity of 1</p>  <p>Drawer Right Wall</p>
<p>22. Quantity of 1</p>  <p>Drawer Back Wall</p>	<p>23. Quantity of 1</p>  <p>Drawer Left Wall</p>	<p>24. Quantity of 2</p>  <p>Drawer Bottom Panel</p>

Care and Cleaning Instructions:
 Before using, wipe with a clean, dry cloth. Avoid rubbing or scratching the surface with rough or abrasive objects.

For replacement parts or questions, please call SEI customer service at 1-800-633-5096.

Assembly Tool Required:
No.2 Phillips Screwdriver (Not Included)



Brock Storage Bench

Assembly Instructions

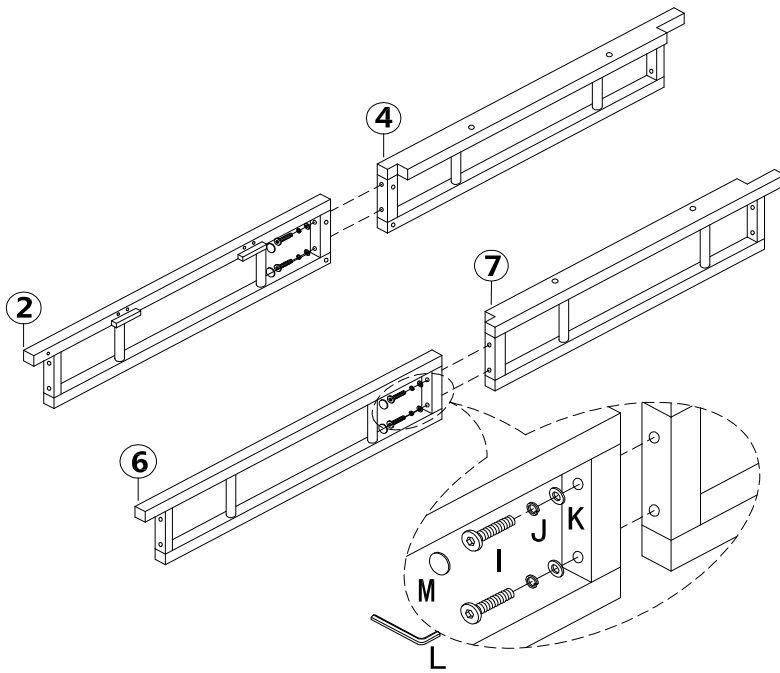


Figure 1

Attach Left Back Frame **(2)** to Right Back Frame **(4)** using Bolts **(I)**, Spring Washers **(J)**, and Flat Washers **(K)**.

Tighten Bolts **(I)** with Allen Wrench **(L)**.

Attach Left Front Frame **(6)** to Right Front Frame **(7)** using Bolts **(I)**, Spring Washers **(J)**, and Flat Washers **(K)**.

Tighten Bolts **(I)** with Allen Wrench **(L)**.

Cover all bolt holes with Sticker Covers **(M)**.

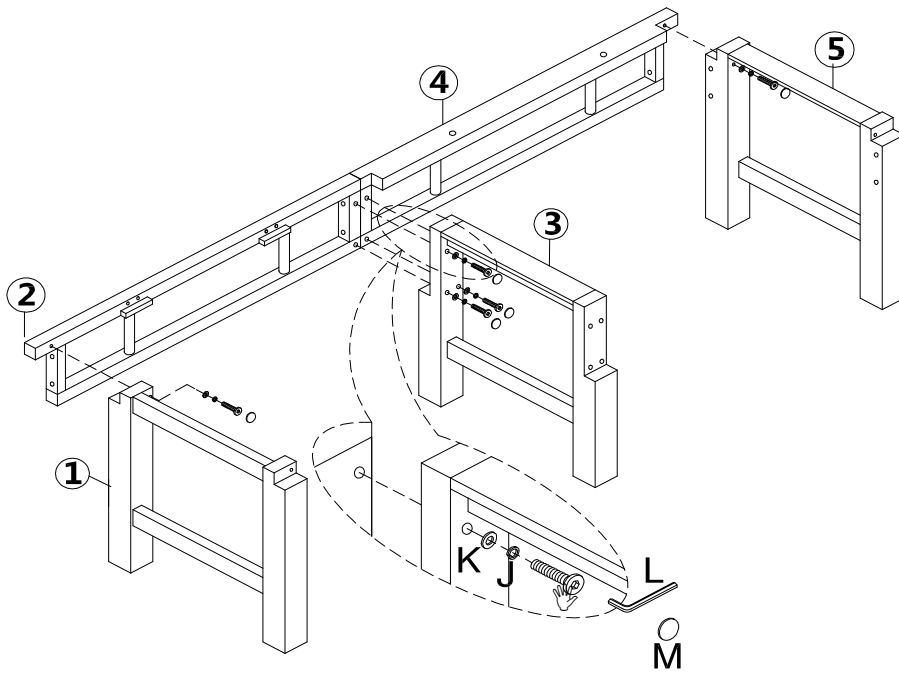


Figure 2

Attach assembled unit from Figure 1 to Left Side Frame (1), Middle Frame (3), and Right Side Frame (5) using Bolts (I), Spring Washers (J), and Flat Washers (K).

Tighten Bolts (I) with Allen Wrench (L).

Cover all bolt holes with Sticker Covers (M).

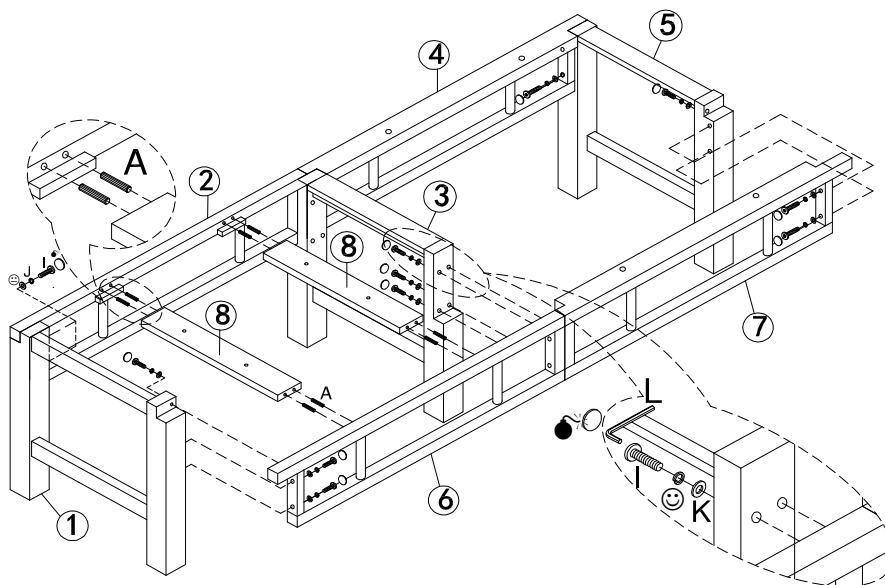


Figure 3

Attach Bars (8) to Left Back Frame (2) and Left Front Frame (6) by inserting Wood Dowels (A).

Attach assembled unit from Figure 2 to Left Side Frame (1), Middle Frame (3), and Right Side Frame (5) using Bolts (I), Spring Washers (J), and Flat Washers (K).

Tighten Bolts (I) with Allen Wrench (L).

Secure assembled Left Back Frame (2) and Right Back Frame (4) to Left Side Frame (1) and Right Side Frame (5) using Bolts (I), Spring Washers (J), and Flat Washers (K).

Tighten Bolts (I) with Allen Wrench (L).

Cover all bolt holes with Sticker Covers (M).

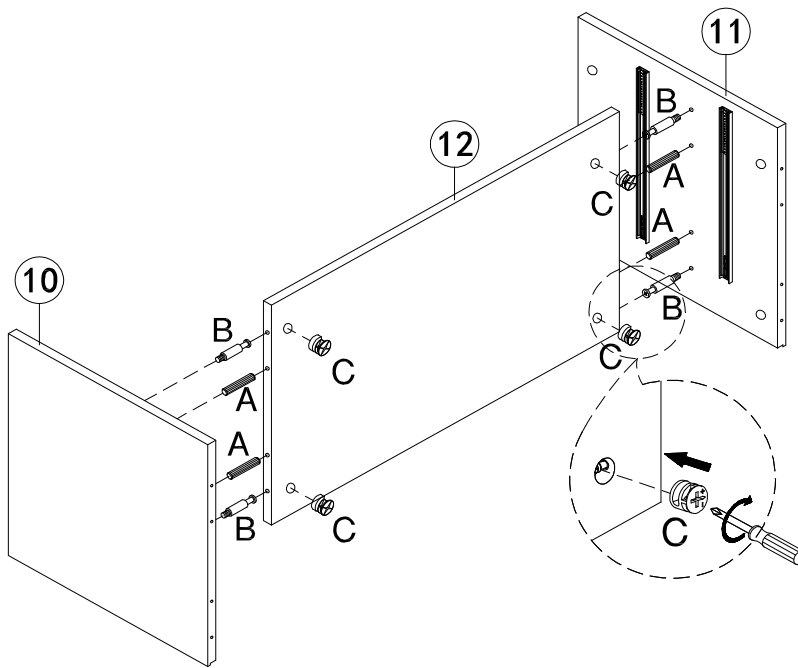


Figure 4

Insert Cam Locks **(C)** into holes on Fixed Shelf **(12)**.

Screw Cam Bolts **(B)** into holes on Left Side Panel **(10)** and Right Side Panel **(11)**.

Attach Left Side Panel **(10)** and Right Side Panel **(11)** to Fixed Shelf **(12)** by inserting Wood Dowels **(A)** and Cam Bolts **(B)** into corresponding holes until all panels meet.

Tighten by rotating Cam Locks **(C)** clockwise with Phillips screwdriver (not included).

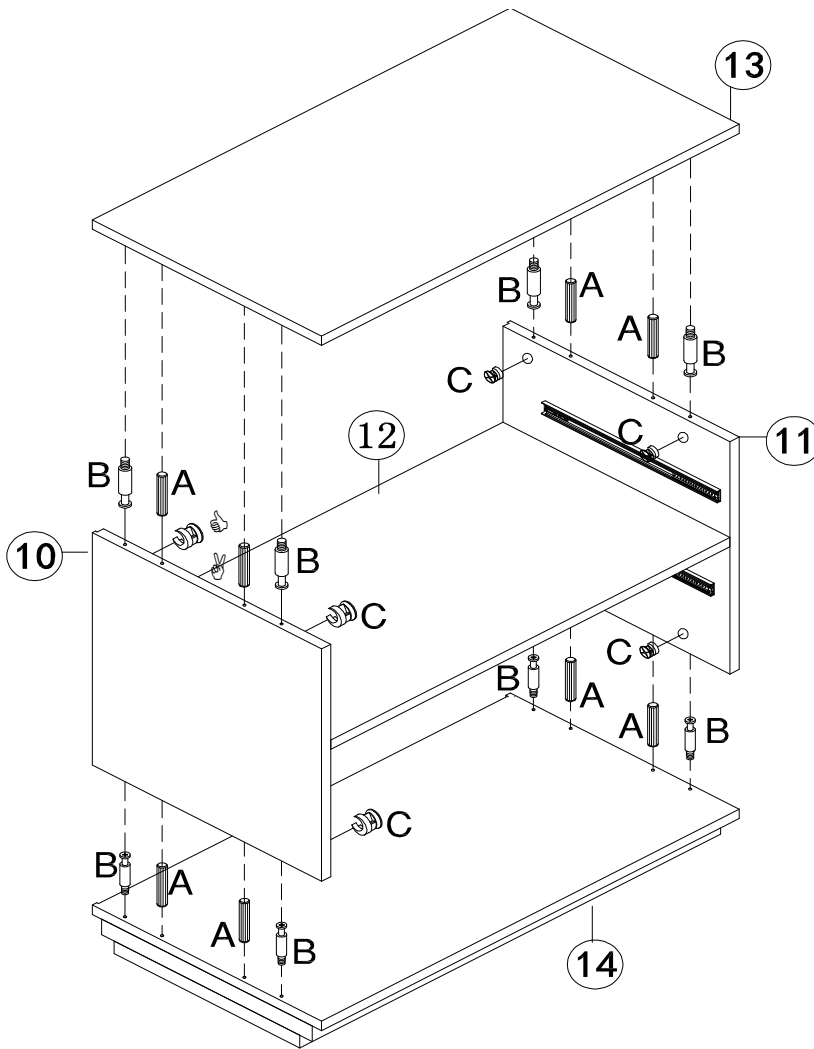


Figure 5

Insert Cam Locks (C) into holes on Left Side Panel (10) and Right Side Panel (11).

Screw Cam Bolts (B) into holes on Bottom Panel (14).

Attach Left Side Panel (10) and Right Side Panel (11) to Bottom Panel (14) by inserting Wood Dowels (A) and Cam Bolts (B) into corresponding holes until all panels meet.

Tighten by rotating Cam Locks (C) clockwise with Phillips screwdriver (not included).

Repeat this process with Top Panel (13).

Tighten by rotating Cam Locks (C) clockwise with Phillips screwdriver (not included).

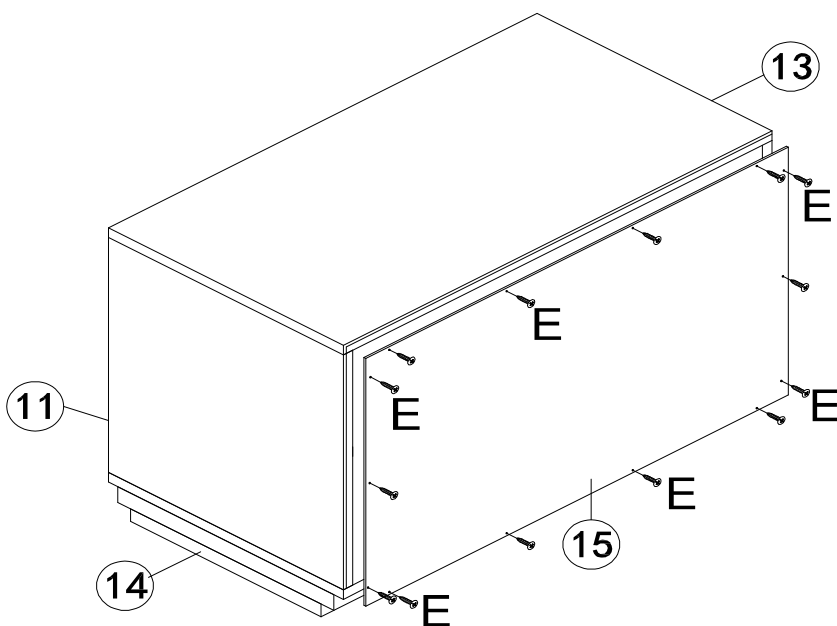


Figure 6

Attach Back Panel (15) to assembled unit from Figure 5 with Screws (E).

Tighten Screws (E) with Phillips screwdriver (not included).

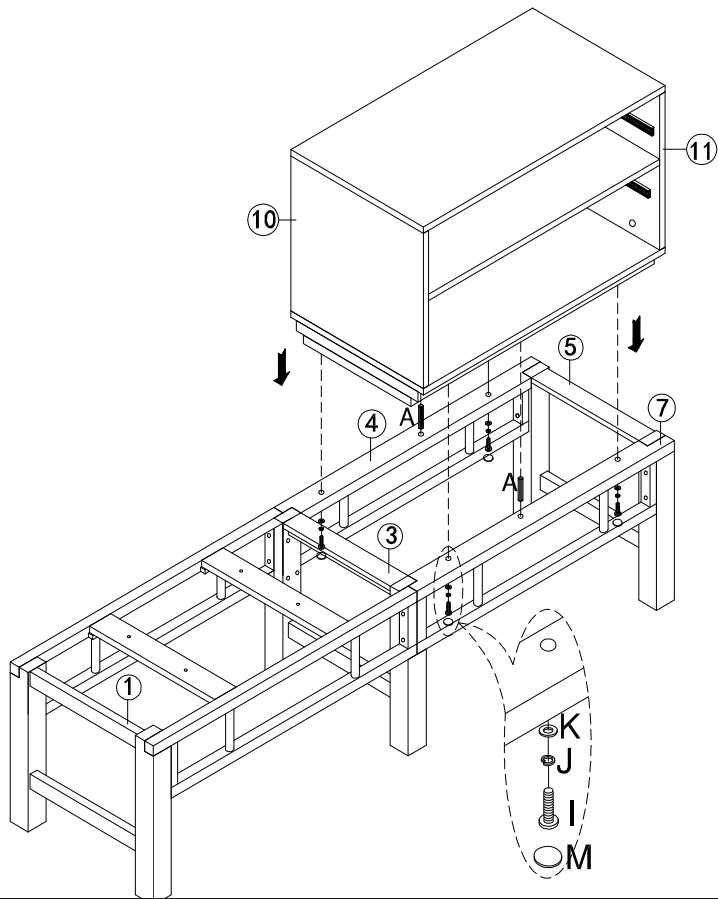


Figure 7

Attach assembled unit from Figure 6 to assembled unit from Figure 3 by inserting Wood Dowels (A), Bolts (I), Spring Washers (J), and Flat Washers (K).

Tighten Bolts (I) with Allen Wrench (L).

Cover bolt holes with Sticker Covers (M).

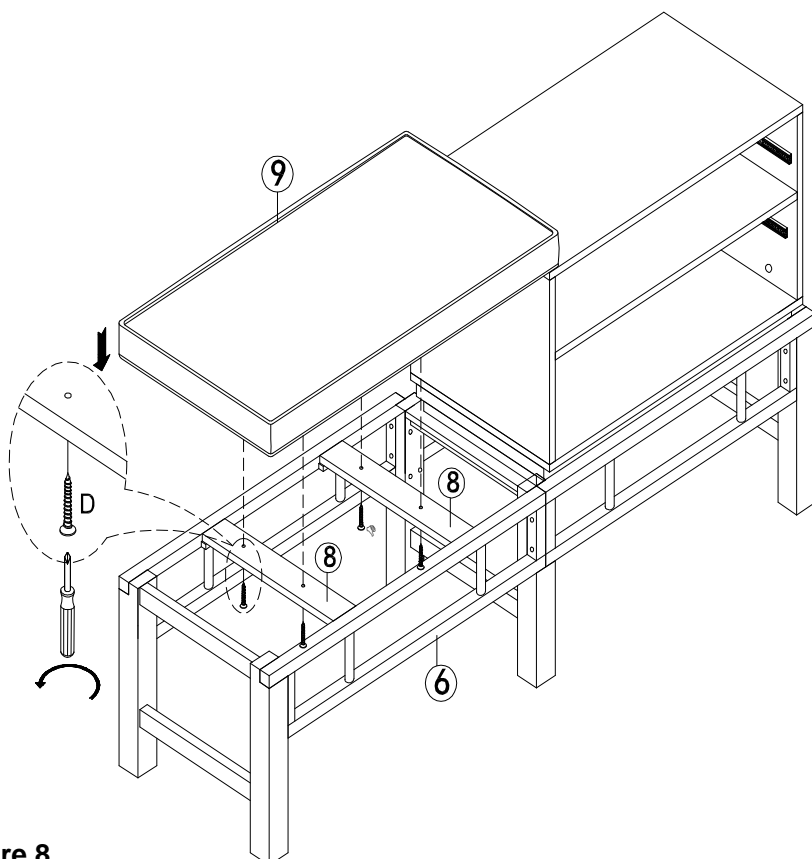


Figure 8

Attach Cushion (9) to assembled unit from Figure 7 with Screws (D).

Tighten Screws (D) with Phillips screwdriver (not included).

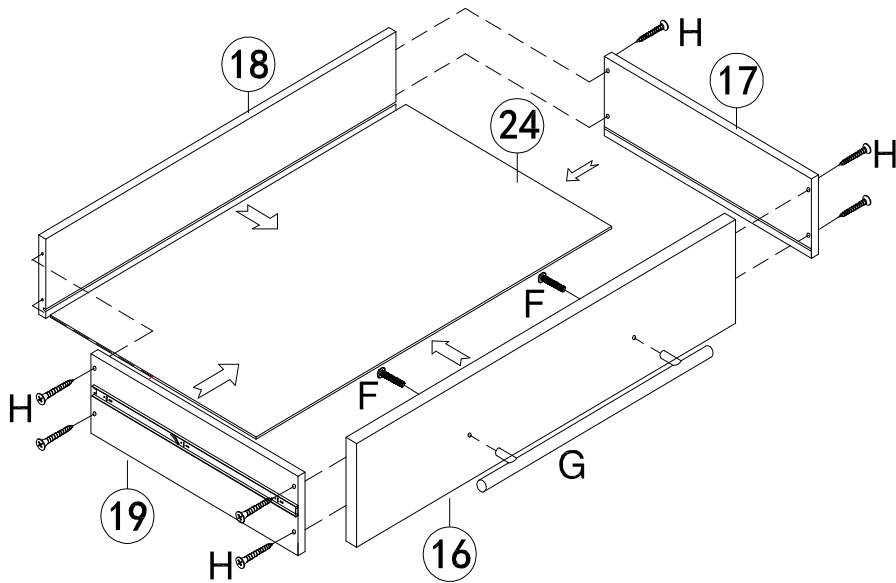


Figure 9

Attach Drawer Right Wall (17) and Drawer Left Wall (19) to Drawer Back Wall (18) with Machine Screws (H).

Tighten Machine Screws (H) with Phillips screwdriver (not included).

Slide Drawer Bottom Panel (24) into the grooves of Drawer Panels.

Attach Small Drawer Face (16) to Drawer Right Wall (17), Drawer Left Wall (19) and Drawer Bottom Panel (24) with Machine Screws (H).

Tighten Machine Screws (H) with Phillips screwdriver (not included).

Attach Handle (G) to Small Drawer Face (16) with Small Bolt (F).

Tighten Small Bolts (F) with Phillips Screwdriver (not included).

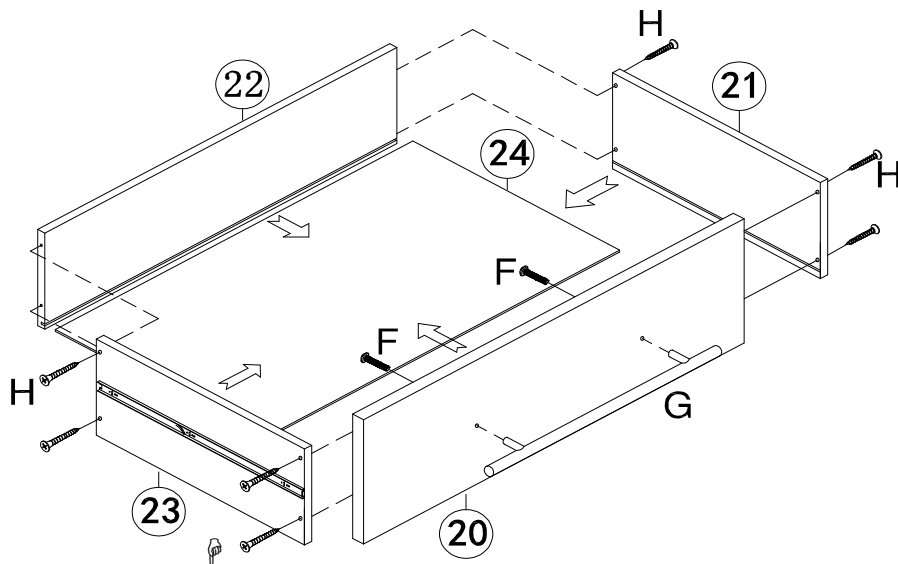


Figure 10

Attach Drawer Right Wall (21) and Drawer Left Wall (23) to Drawer Back Wall (22) with Machine Screws (H).

Tighten Machine Screws (H) with Phillips screwdriver (not included).

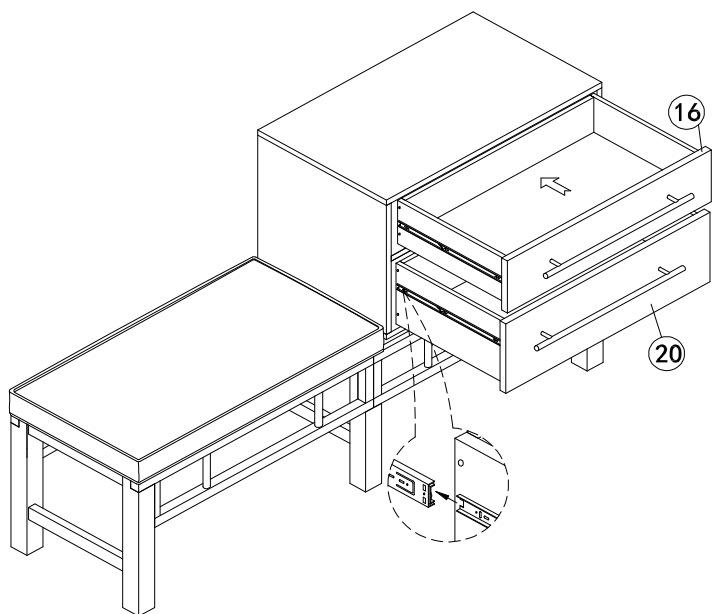
Slide Drawer Bottom Panel (24) into the grooves of Drawer Panels.

Attach Large Drawer Face (20) to Drawer Right Wall (21), Drawer Left Wall (23) and Drawer Bottom Panel (24) with Machine Screws (H).

Tighten Machine Screws (H) with Phillips screwdriver (not included).

Attach Handle (G) to Large Drawer Face (20) with Small Bolts (F).

Tighten Small Bolts (F) with Phillips Screwdriver (not included).



Attach assembled drawers into assembled unit. Make sure drawers smoothly slide in and out.

Figure 11

Now your Brock Storage Bench is ready to use.

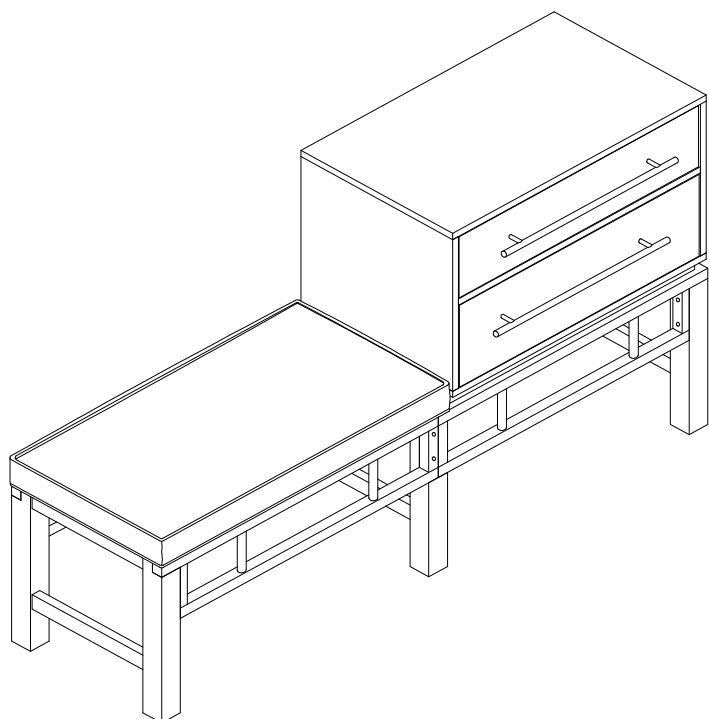


Figure 12

Parts Replacement Form

Name _____

Address _____

City/State/Zip Code _____

Phone Number _____

Please indicate where you purchased this item: Store/Website/Catalog

Please indicate color/size/style number:

Style No	Parts Letter	Parts Description	Quantity Needed
_____	_____	_____	_____
_____	_____	_____	_____
_____	_____	_____	_____

Please immediately examine this product carefully. Any request for missing parts or damage replacement must be received within 90 days of your receipt of the product. Replacement, if available, will be honored within this time frame. Parts will not be available for items arriving fully assembled. We do not recommend modifying product(s) and we are not responsible for any damages due to product modification(s). If damages or missing parts are not reported within 90 days of your receipt, we are under no obligation to provide parts or replacement merchandise.

Please contact Southern Enterprises at 800-633-5096 or in Dallas 972-869-0111/ 9am – 4pm Mon-Fri Central time if you have product issues or email us at service@hollyandmartin.com. Please ask for customer service representative for issues involving damages or replacement parts. Please ask for technical assistance representative for any issues with product and assembly/construction.

Please contact the retailer that you purchased from for returns.

Customer Service 1-800-633-5096

service@hollyandmartin.com

www.hollyandmartin.com

600 Freeport Parkway, Suite 200

Coppell, Texas 75019

