

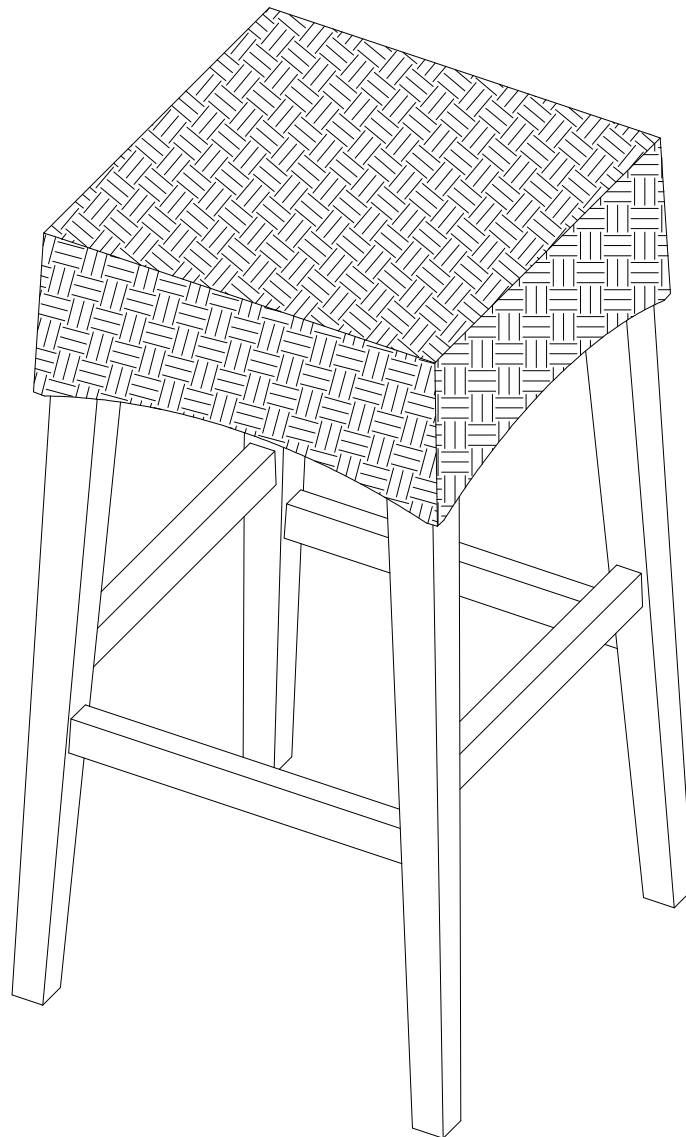
BC025000TX
Pair Water Hyacinth 30"H
Stools
Assembly Instructions



Southern
ENTERPRISES

For assistance with assembly contact:
Southern Enterprises Inc.
Customer Service 1-800-633-5096
service@seidal.com
www.seidal.com

PO#12786



BC02500TX

Pair Water Hyacinth 30"H Stools

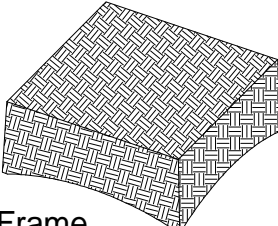
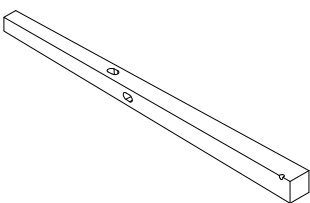
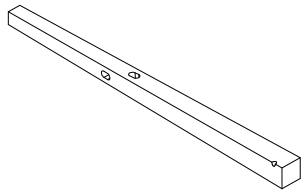
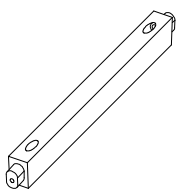
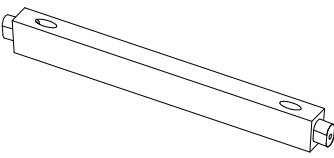
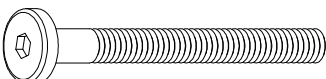

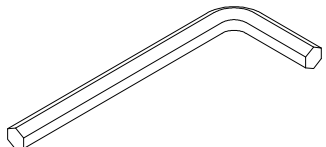

Parts List

Please review all parts and hardware before disposing of any packaging.

Call Customer Service if missing hardware.

Using a screw that is too long will cause damage. Before beginning assembly, separate each type of screw. Carefully study the screw diagrams below.

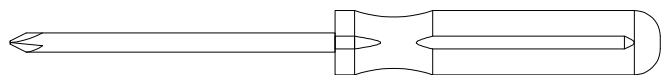
You may receive extra hardware with your unit.

<p>A 1pc</p>  <p>Seat Frame</p>	<p>B 2pcs</p>  <p>Leg 1</p>	<p>C 2pcs</p>  <p>Leg 2</p>
<p>D 2pcs</p>  <p>Short Cross Bar</p>	<p>E 2pcs</p>  <p>Long Cross Bar</p>	
<p>1 4pcs</p>  <p>Bolt 1/4" x 2-3/8"</p>	<p>2 4pcs</p>  <p>Washer Ø5/8"</p>	<p>3 1pc</p>  <p>Allen Key 4</p>
<p>4 8pcs</p>  <p>Flat Screw 5/32" x 1-3/4"</p>		

Care and Cleaning Instructions:
 Before using, wipe with a clean, dry cloth. Periodically apply furniture wax to renew the finish. Avoid rubbing or scratching the surface with rough or abrasive objects.

For replacement parts or questions, please call Customer Service at 1-800-633-5096. Do not return product to store. Please call manufacturer for assistance, questions or parts.

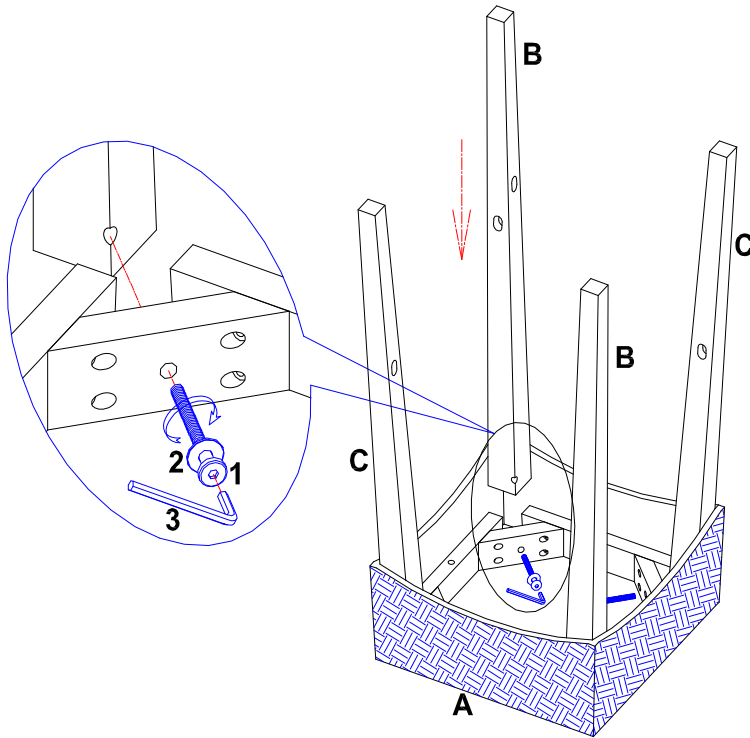
**Assembly Tool Required
 No.2 Phillips Screwdriver**



BC025000TX

Pair Water Hyacinth 30”H Stools

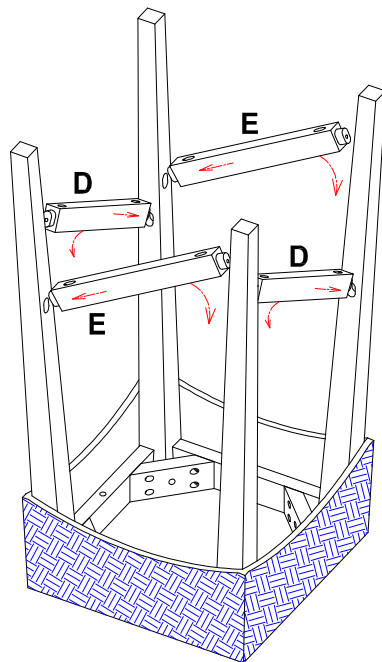
Assembly Instructions



Step 1:

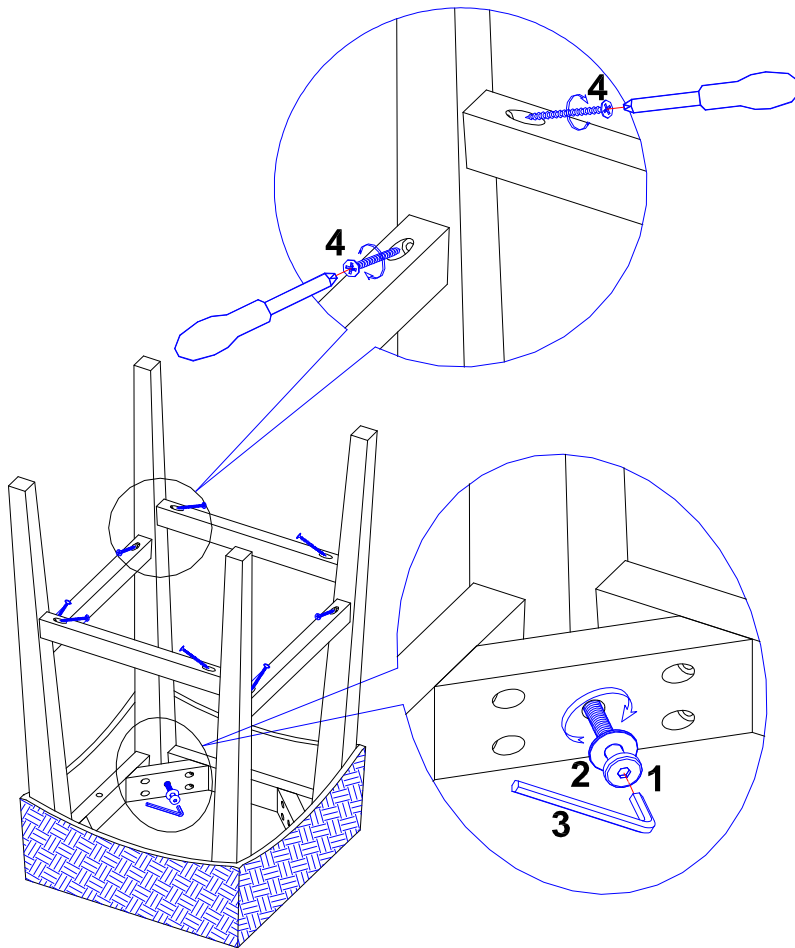
Put all parts on a soft surface to prevent scratches.

Attach legs 1(B), legs 2(C) to seat frame (A) with bolts (1) and washers (2). Using allen key (3) partially tighten (approx. 50%) the bolts as shown.



Step 2:

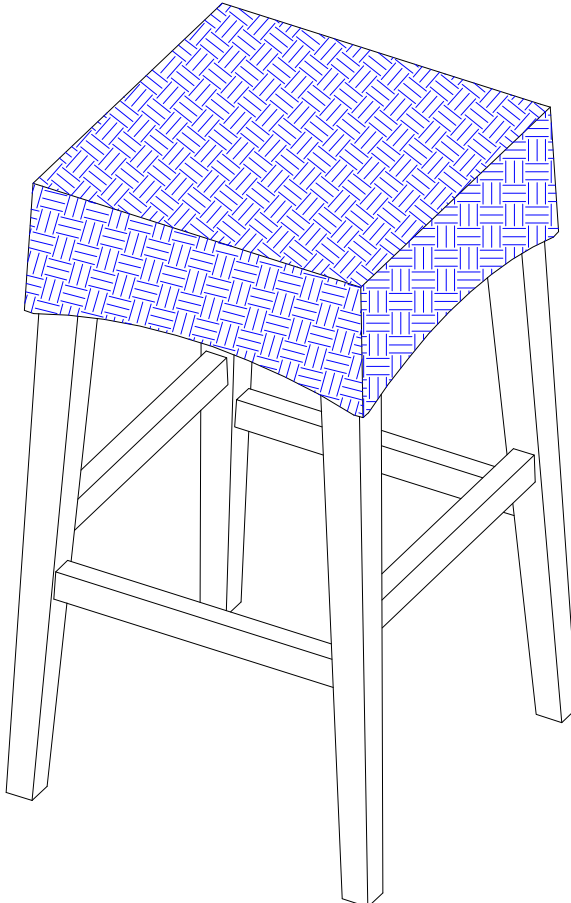
Attach short cross bars (D) and long cross bars (E) to legs as shown.



Step 3:

You will need a Phillips screwdriver.

Using allen key (3), fully tighten all bolts (1).
Using screw driver, fully tighten all screws (4) as shown.



Step 4:

Turn stool upright.

Assembly is complete.

Parts Replacement Form

Customer Information

Name _____

Address _____

City/State/Zip Code _____

Phone Number _____

Please indicate where you purchased this item: Store/Website/Catalog

Please indicate color/size/style number:

Style No	Parts Letter	Parts Description	Quantity Needed
_____	_____	_____	_____
_____	_____	_____	_____
_____	_____	_____	_____

Please immediately examine this product carefully. Any request for missing parts or damage replacement must be received within 90 days of your receipt of the product. Replacement, if available, will be honored within this time frame. Parts will not be available for items arriving fully assembled. We do not recommend modifying product(s) and we are not responsible for any damages due to product modification(s). If damages or missing parts are not reported within 90 days of your receipt, we are under no obligation to provide parts or replacement merchandise.

Please contact Southern Enterprises at 800-633-5096 or in Dallas 972-869-0111/ 9am – 4pm Mon-Fri Central time if you have product issues or email us at service@seidal.com. Please ask for customer service representative for issues involving damages or replacement parts. Please ask for technical assistance representative for any issues with product and assembly/construction.

Please contact the retailer that you purchased from for returns.



Southern
ENTERPRISES

Customer Service 1-800-633-5096
service@seidal.com
Southern Enterprises, Inc.
600 Freeport Parkway, Suite 200
Coppell, Texas 75019